



Vestil Manufacturing Corp.
 2999 North Wayne Street, P.O. Box 507, Angola, IN 46703
 Telephone: (260) 665-7586 -or- Toll Free (800) 348-0868
 Fax: (260) 665-1339
<http://www.vestilmfg.com/> e-mail: info@vestil.com

**All Terrain Pallet Truck
 Instruction Manual**



ALL-T-(2 or 4)-GPT
 ALL-T-(2 or 4)-GPT-L
 ALL-T-(2 or 4)-GPT-10HP
 ALL-T-(2 or 4)-GPT-L-10HP

ALL-T-(2 or 4)-GPT-PT
 ALL-T-(2 or 4)-GPT-L-PT
 ALL-T-(2 OR 4)-GPT-PT-10HP
 ALL-T-(2 or 4)-GPT-L-PT-10HP

Receiving instructions:

After delivery, remove the packaging from the product. Inspect the product closely to determine whether it sustained damage during transport. If damage is discovered, record a complete description of it on the bill of lading. If the product is undamaged, discard the packaging.

NOTE:

The end-user is solely responsible for confirming that product design, use, and maintenance comply with laws, regulations, codes, and mandatory standards applied where the product is used.

Replacement Parts and Technical Assistance:

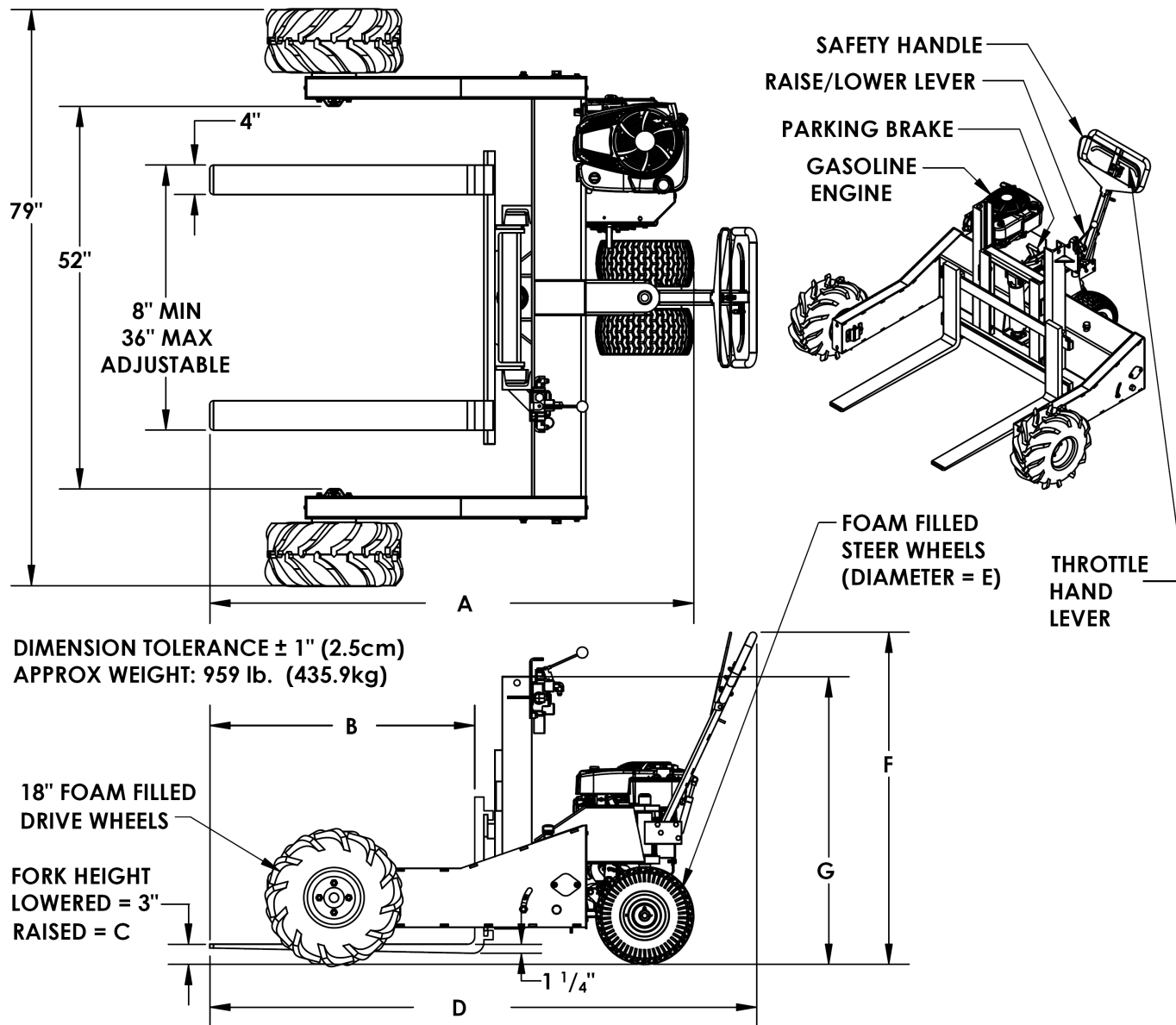
If you have questions that are not addressed in these instructions and to order replacement parts, labels, and accessories, call (260) 665-7586 and ask for the Service and Parts Department. The department can also be contacted online at http://www.vestilmfg.com/parts_info.htm.

Table of Contents

Specifications.....	2, 3
Applicable National Standards.....	4
Signal Words.....	4
Hazards.....	4
Operating the Truck.....	5
Fork Carriage Controls.....	5 - 6
Lifting and Transporting Loads.....	6
Parking Brake.....	7
Disengaging the Transmission (Neutral Mode).....	7
Record of Satisfactory Condition.....	7
Inspections and Maintenance.....	7 - 8
Complete Exploded Views & Bill of Materials.....	9 - 16
ALL-T-2-GPT; ALL-T-4-GPT; ALL-T-2-GPT-L; & ALL-T-4-GPT-L.....	9 - 10
ALL-T-2-GPT-10HP; ALL-T-4-GPT-10HP; ALL-T-2-GPT-L-10HP; & ALL-T-4-GPT-L-10HP.....	11-12
ALL-T-2-GPT-PT; ALL-T-4-GPT-PT; ALL-T-2-GPT-L-PT; & ALL-T-4-GPT-L-PT.....	13-14
ALL-T-2-GPT-PT-10HP; ALL-T-4-GPT-PT-10HP; ALL-T-2-GPT-L-PT-10HP; & ALL-T-4-GPT-L-PT-10HP.....	15-16
Rear Wheel Axle Assemblies (1) and (2) Exploded Views and Bills of Materials.....	17
Steering Handle Subassembly Exploded View and Bill of Materials.....	18
Power Unit Subassembly Exploded Views and Bills of Materials.....	19-22
ALL-T-2-GPT & ALL-T-4-GPT.....	19
ALL-T-2-GPT-10HP; ALL-T-4-GPT-10HP; ALL-T-2-GPT-L-10HP; & ALL-T-4-GPT-L-10HP.....	20
ALL-T-2-GPT-PT; ALL-T-4-GPT-PT; ALL-T-2-GPT-L-PT; & ALL-T-4-GPT-L-PT.....	21
ALL-T-2-GPT-PT-10HP; ALL-T-4-GPT-PT-10HP; ALL-T-2-GPT-L-PT-10HP; & ALL-T-4-GPT-L-PT-10HP.....	22
Sprocket Drive Subassemblies, Right Side, Exploded Views and Bills of Materials.....	23
Sprocket Drive, Subassemblies, Left Side, Exploded Views and Bills of Materials.....	24
Labeling Diagram.....	25
Limited Warranty.....	26

SPECIFICATIONS: UNITS WITHOUT POWERED TILT

Dimensions, capacity, net weight, and other attributes appear in the diagrams and table below.



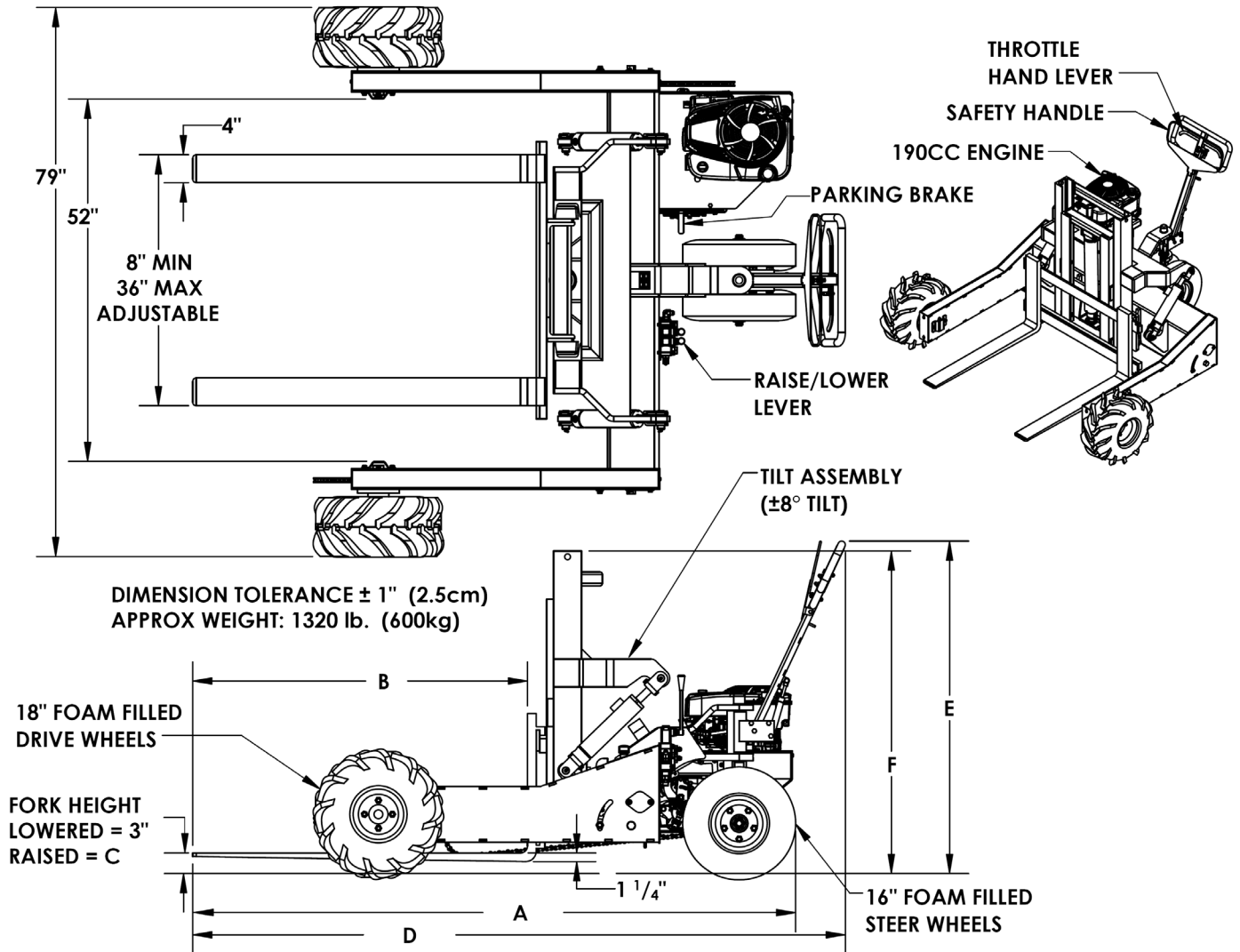
DIMENSION TOLERANCE $\pm 1"$ (2.5cm)
 APPROX WEIGHT: 959 lb. (435.9kg)

18" FOAM FILLED DRIVE WHEELS
 FORK HEIGHT LOWERED = 3"
 RAISED = C

Model	A	B	C	D	E	F	G	Net weight	Capacity	Engine displacement
ALL-T-2-GPT	65 ³ / ₄ " 167cm	36" 91.4cm	12" 30.5cm	74 ⁵ / ₁₆ " 188.8cm	13" 33.0cm	45 ¹ / ₈ " 114.6cm	39 ¹ / ₁₆ " 99.2cm	953 lb. 433.2kg	2000 lb. 909.1kg	190cc
ALL-T-2-GPT-10HP	70 ¹¹ / ₁₆ " 179.5cm	36" 91.4cm	12" 30.5cm	77 ¹³ / ₁₆ " 197.6cm	16" 40.6cm	48 ³ / ₈ " 122.9cm	39 ⁵ / ₁₆ " 99.9cm	1051 lb. 477.7kg	2000 lb. 909.1kg	344cc
ALL-T-2-GPT-L	77 ³ / ₄ " 197.5cm	48" 121.9cm	12" 30.5cm	86 ⁵ / ₁₆ " 219.2cm	13" 33.0cm	45 ³ / ₈ " 115.3cm	39 ⁹ / ₁₆ " 99.9cm	997 lb. 453.2kg	2000 lb. 909.1kg	190cc
ALL-T-2-GPT-L-10HP	82 ¹ / ₁₆ " 210.0cm	48" 121.9cm	12" 30.5cm	89 ¹³ / ₁₆ " 228.1cm	16" 40.6cm	48 ⁹ / ₁₆ " 123.3cm	39 ⁷ / ₁₆ " 100.2cm	1094 lb. 497.3kg	2000 lb. 909.1kg	344cc
ALL-T-4-GPT	66 ¹ / ₂ " 168.9cm	36" 91.4cm	12" 30.5cm	75 ¹ / ₁₆ " 190.7cm	13" 33.0cm	45 ³ / ₈ " 115.3cm	39 ⁵ / ₁₆ " 99.9cm	1012 lb. 460kg	4000 lb. 1818.2kg	190cc
ALL-T-4-GPT-10HP	71 ⁷ / ₁₆ " 181.5cm	36" 91.4cm	12" 30.5cm	78 ⁹ / ₁₆ " 199.5cm	16" 40.6cm	48 ¹ / ₂ " 123.2cm	39 ⁹ / ₁₆ " 99.9cm	1056 lb. 480kg	4000 lb. 1818.2kg	344cc
ALL-T-4-GPT-L	78 ¹ / ₂ " 199.4cm	48" 121.9cm	12" 30.5cm	87 ¹ / ₁₆ " 221.1cm	13" 33.0cm	45 ³ / ₈ " 115.3cm	39 ⁷ / ₁₆ " 99.9cm	1065 lb. 484.1kg	4000 lb. 1818.2kg	190cc
ALL-T-4-GPT-L-10HP	83 ⁷ / ₁₆ " 211.9cm	48" 121.9cm	12" 30.5cm	90 ⁹ / ₁₆ " 230.0cm	16" 40.6cm	48 ¹ / ₂ " 123.2cm	39 ⁵ / ₁₆ " 99.9cm	1162 lb. 528.2kg	4000 lb. 1818.2kg	344cc

SPECIFICATIONS: UNITS WITH POWERED TILT (“-PT” IN MODEL NAME)

Dimensions, capacity, net weight, and other attributes appear in the diagrams and table below.



Model	A	B	C	D	E	F	Net weight	Capacity	Engine displacement
ALL-T-2-GPT-PT	74 ¹ / ₂ " 189.2cm	36" 91.4cm	20" 50.8cm	81 ⁹ / ₁₆ " 207.2cm	47 ¹¹ / ₁₆ " 121.1cm	46 ¹ / ₄ " 117.5cm	1265 lb. 575kg	2000 lb. 909.1kg	190cc
ALL-T-2-GPT-PT-10HP	74 ¹ / ₂ " 189.2cm	36" 91.4cm	20" 50.8cm	81 ⁹ / ₁₆ " 207.2cm	47 ¹¹ / ₁₆ " 121.1cm	46 ¹ / ₈ " 117.2cm	1300 lb. 590.9kg	2000 lb. 909.1kg	344cc
ALL-T-2-GPT-L-PT	86 ¹ / ₂ " 219.7cm	48" 121.9cm	20" 50.8cm	93 ⁹ / ₁₆ " 237.6cm	47 ¹¹ / ₁₆ " 121.1cm	46 ¹ / ₄ " 117.5cm	1289 lb. 585.9kg	2000 lb. 909.1kg	190cc
ALL-T-2-GPT-L-PT-10HP	86 ¹ / ₂ " 219.7cm	48" 121.9cm	20" 50.8cm	93 ⁹ / ₁₆ " 237.6cm	47 ¹¹ / ₁₆ " 121.1cm	46 ¹ / ₈ " 117.2cm	1324 lb. 601.8kg	2000 lb. 909.1kg	344cc
ALL-T-4-GPT-PT	75 ³ / ₁₆ " 191.0cm	36" 91.4cm	20" 50.8cm	82 ⁵ / ₁₆ " 209.1cm	47 ³ / ₁₆ " 119.9cm	46 ¹ / ₄ " 117.5cm	1332 lb. 605.5kg	4000 lb. 1818.2kg	190cc
ALL-T-4-GPT-PT-10HP	73 ³ / ₁₆ " 185.9cm	36" 91.4cm	20" 50.8cm	82 ⁵ / ₁₆ " 209.1cm	47 ¹ / ₈ " 199.7cm	46 ¹ / ₈ " 117.2cm	1367 lb. 621.4kg	4000 lb. 1818.2kg	344cc
ALL-T-4-GPT-L-PT	87 ³ / ₁₆ " 221.5cm	48" 121.9cm	20" 50.8cm	94 ⁵ / ₁₆ " 239.6cm	47 ³ / ₁₆ " 119.9cm	46 ¹ / ₄ " 117.5cm	1366 lb. 620.9kg	4000 lb. 1818.2kg	190cc
ALL-T-4-GPT-L-PT-10HP	87 ³ / ₁₆ " 221.5cm	48" 121.9cm	20" 50.8cm	94 ⁵ / ₁₆ " 239.6cm	47 ¹ / ₈ " 119.7cm	46 ¹ / ₈ " 117.2cm	1401 lb. 636.8kg	4000 lb. 1818.2kg	344cc

APPLICABLE NATIONAL STANDARDS

This product is a rough terrain lift truck. The Industrial Truck Standards Development Foundation (ITSDF) publishes national standard ANSI/ITSDF B56.6 (the "Standard") on its website (www.itsdf.org). The standard is freely downloadable at <http://www.itsdf.org/cue/b56-standards.html>. Before putting your pallet truck into service, acquire a copy of the Standard and apply all recommendations in Part II: For the User. If instructions provided in this manual conflicts with instructions in the Standard, then you should apply the instructions in the Standard.

SIGNAL WORDS

This manual uses SIGNAL WORDS to direct the reader's attention to important safety-related messages. These messages describe uses of the product that could result in personal injury or property damage. Each signal word corresponds to a specific hazard level. The following are definitions of signal words that might appear in this manual.



Identifies a hazardous situation which, if not avoided, WILL result in DEATH or SERIOUS INJURY. Use of this signal word is limited to the most extreme situations.



Identifies a hazardous situation which, if not avoided, COULD result in DEATH or SERIOUS INJURY.



Indicates a hazardous situation which, if not avoided, COULD result in MINOR or MODERATE injury.



Identifies practices likely to result in product/property damage, such as operation that might damage the product.

HAZARDS

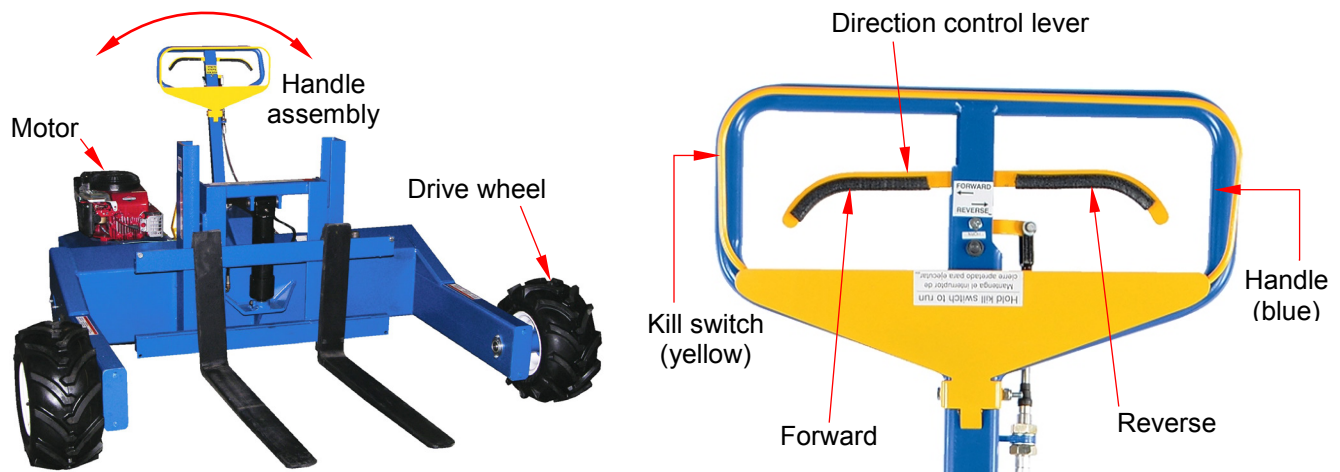
Vestil strives to identify all foreseeable hazards associated with the use of its products. However, material handling is dangerous and no manual can address every risk. Ultimately the most effective way to prevent injury is for the operator to apply sound judgment whenever using this device.



Improper or careless operation of this device might result in serious personal injuries.

- **Read and understand this entire manual before using or servicing this pallet truck.** Read the manual whenever necessary to refresh your understanding of proper operation and maintenance procedures. An instruction manual for the gasoline motor is provided with this unit. Read the entire manual before operating the truck for the first time.
- DO NOT exceed the capacity of your unit. Capacity information is provided in the [Specifications](#) tables on pages 2 & 3. The truck is also labeled with its capacity. See label 287 in [Labeling Diagram](#) on p. 25.
- Inspect the truck as directed in [Inspections and Maintenance](#) on pages 5-6. DO NOT use the device unless it is in *satisfactory condition*. See [Record of Satisfactory Condition](#) on p. 7.
- NEVER park the truck on sloped terrain. Only park on level ground. Always apply the parking brake whenever the truck is stopped.
- Only use this product to lift and move palletized loads.
- Completely engage loads with forks. Fork length should be *at least* two-thirds of length of the parallel dimension of the pallet.
- DO NOT allow people to ride on the truck or the load.
- Ascend and descend grades *slowly*. Do not traverse grades of more than 7%. The forks should only be raised as far as necessary to clear the road surface. Travel straight up and down the grade, i.e. avoid turning on grades. If your pallet truck is equipped with the powered tilt feature (-PT in model name), make sure that the carriage is *not* tilted forward whenever crossing grades. Traverse grades with the forks downgrade from you.
- If the load obstructs forward view, travel with the load trailing.
- Any load applied to the forks must be centered and evenly distributed on a pallet.
- Only use the truck if you are familiar with the controls. Start, stop, turn, and reverse directions smoothly to shifting the load. Sudden shifting could cause the load and truck to overturn.
- Reduce speed during turns. Turn slowly and carefully.
- Avoid running over loose objects on the roadway surface.
- DO NOT modify the truck in any way without express, written approval from Vestil. Unapproved modifications automatically void the [Limited Warranty](#) on p. 26 and might make the product unsafe to use.
- DO NOT use this product UNLESS every label shown in the [Labeling diagram](#) on p. 25 is in place, undamaged, and easily readable.

OPERATING THE TRUCK



Startup procedure

1. Find the choke and throttle controls for the motor. Apply the engine startup procedure in the motor manufacturer's instruction manual.
2. Squeeze the kill switch against the handle with one hand. Pull the engine starter cord with the other hand.
3. After the engine starts, set the choke switch to the open position and allow the engine to warm up for a few minutes.
4. Set the engine throttle to the desired speed: increasing the throttle increases the speed and vice versa.

Propulsion (Driving the Truck)

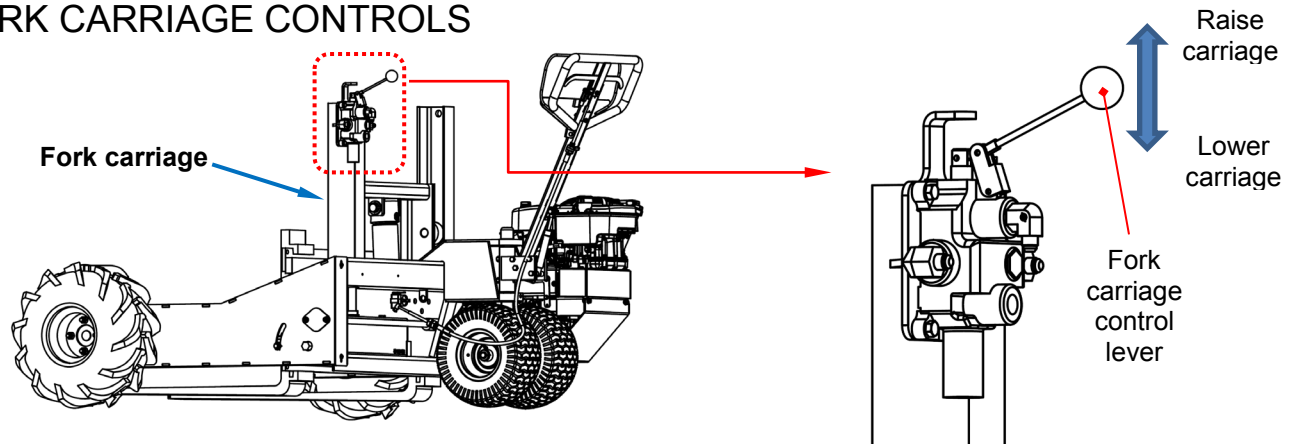
- a. To move forward, squeeze the right side of the direction control lever towards the top of the handle. The further the lever is moved the faster the unit moves. Release the lever to stop.
- b. To move in reverse, squeeze the left side of the lever towards the top of the handle.
- c. Practice shifting between forward and reverse.

NOTE: Do not quickly shift from forward to reverse or vice versa. Sudden shifts can damage the transaxle.
- d. When moving heavy loads, i.e. loads close to the unit's capacity, drive slowly. Driving slowly decreases the load on the engine.

Steering

Steer the unit by swinging the handle to one side or the other. While turning, the rpm's of the outer drive wheel increase and the rpm's of the inner drive wheel decrease. When turning sharply in one direction or the other, the difference between rpm's of the wheels is greater (i.e. the outer wheel turns much faster than the inner wheel).

FORK CARRIAGE CONTROLS



A. Raising and lowering the carriage

1. Raise the forks: (continues on following page)

- a. Grasp the knob of the fork carriage control lever and push it forward i.e. away from you/towards the truck. The hydraulic cylinder extends and causes the carriage to rise.

- b. Releasing the lever causes the cylinder to stop extending. The cylinder maintains position wherever it stops. Release the control lever as soon as the desired load elevation is achieved.

NOTE: Do not continue to hold the control lever when the cylinder is completely extended. The hydraulic fluid could overheat and cause permanent damage to the hydraulic system.

2. **Lower the fork carriage:** The engine does not have to be running to lower the carriage.

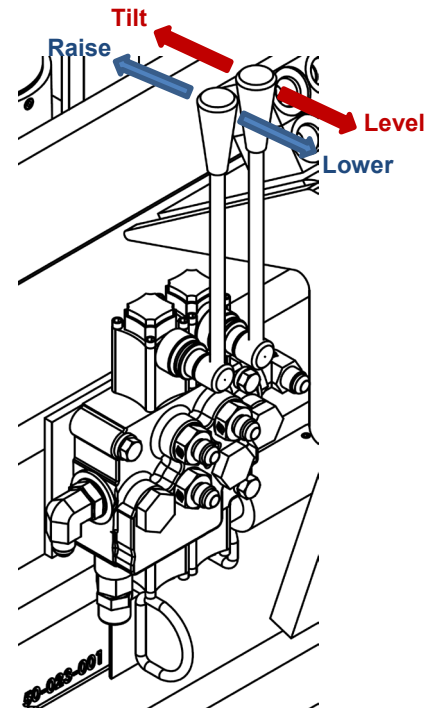
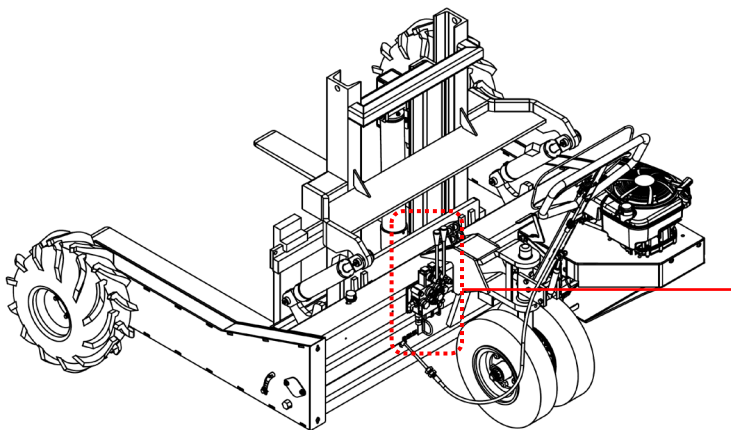
- a. Pull the control lever towards you.
- b. The carriage descends at a controlled speed. Releasing the lever causes the carriage to stop. It maintains position wherever it stops. Lowering speed is adjustable. However, the lowering speed is optimized at the factory. Do not change the lowering speed without approval from, and guidance by, [Technical Service](#).

If the carriage lowers too quickly, a safety device in the cylinder, called a velocity fuse, closes. When the fuse is closed, hydraulic fluid cannot flow from the cylinder to the reservoir. The cylinder cannot retract and the carriage does not lower. If this happens, you must reset the velocity fuse by raising the hitch.

B. Tilting the carriage

Units equipped with the powered tilt feature (“-PT” appears in the model designation) have two control levers.

1. The lever on the left controls up-and-down movement.
2. The lever on the right controls carriage tilt.
 - a. Push the lever forward to activate a second cylinder. This cylinder pushes the top of the carriage forward, which causes the fork tips to drop.
 - b. Pull back the lever to raise the tips and level the forks.



LIFTING AND TRANSPORTING LOADS

Before engaging the load:

1. Release the direction control lever.
2. Adjust the engine throttle to mid-speed.
3. Align the forks (on the carriage) with the fork channels in the pallet. The forks must be centered on the carriage.
4. Adjust the elevation of the forks with the Raise/Lower lever.

Mount the pallet on the forks:

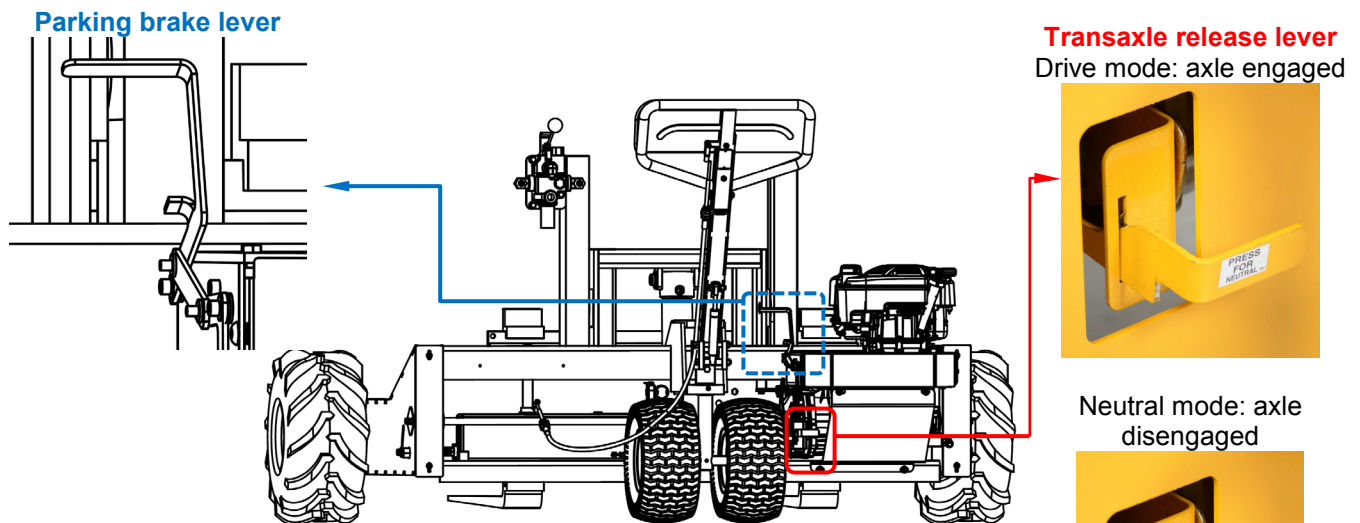
1. Drive forward and insert the forks through the pallet. Insert the forks all-the-way. Fork length should be *at least* $\frac{2}{3}$'s of the parallel dimension of the pallet.
2. Raise the forks to elevate the pallet a few inches above the ground. Do not raise the forks any higher than necessary.
3. Drive the load to the desired location. Instructions for driving and steering the truck are provided in [Operating the Truck](#) on p. 5.
4. Set the pallet on the ground by lowering the forks. When the pallet rests on the ground, extract the forks from the pallet by driving the truck in reverse.

PARKING BRAKE:

This product is equipped with a parking brake. This brake should only be applied when the unit is stopped. Do not use the parking brake to slow the unit.

1. To apply the brake pull the brake lever up until it locks.
2. To release the brake, push the lever downward.

NOTE: ONLY park the mover on level ground.



Unload the hydraulic system when you are finished using the truck by lowering the carriage all the way.

DISENGAGING THE TRANSMISSION (NEUTRAL MODE):

The unit can be moved manually by putting the transmission into neutral. This decouples the drive wheels from the transaxle. To put the transmission into neutral:

1. Locate the transaxle release lever.
2. Push the lever in and down until it seats inside the release bracket.

To put the transmission back into drive mode, lift the lever and pull it towards you.

RECORD OF SATISFACTORY CONDITION:

Before using the product for the first time, make a record of its appearance and functions. Cycle the carriage/forks up and down. Describe the motion (e.g. smooth and at a uniform rate). Drive the unit in forward and in reverse. Describe the motion. Thoroughly photograph the unit from multiple angles including all labeling applied to it. Each feature listed in *Inspect the following* components (below) should be photographed in detail. Describe where each label is located. Collate all photographs and writings into a file. Mark the file appropriately to identify it.

This record documents the truck in satisfactory condition. Compare the results of all inspections to this record to determine if the unit is in satisfactory condition. Do not use it unless it is in satisfactory condition. Purely cosmetic changes, like damaged paint/powder coat do not constitute changes from normal condition. However, touchup paint should be applied to all affected areas as soon as damage occurs. Contact **Technical Service** (contact information appears on the cover page) if you have questions that are not addressed in these instructions.

INSPECTIONS AND MAINTENANCE

NOTICE Proper maintenance is essential to keep this product in satisfactory condition and to maximize the service life of the unit.

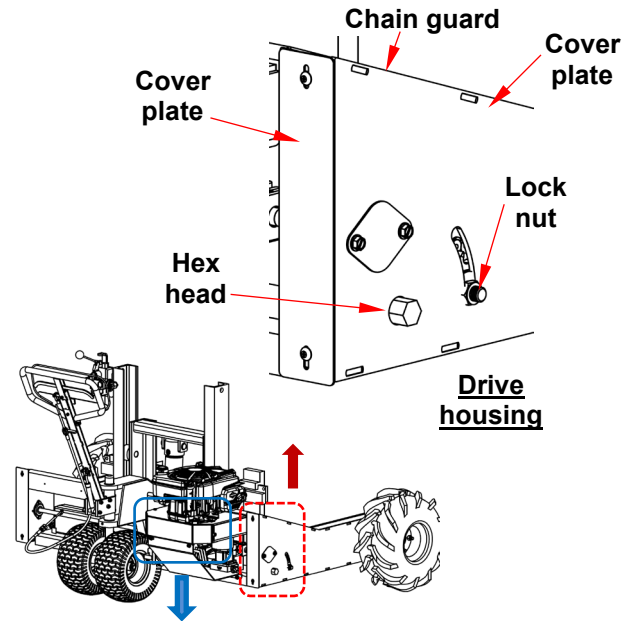
- DO NOT fill the hydraulic system with brake fluid or jack oils. Only use anti-wear hydraulic oil, viscosity grade 150 SUS at 100°F (ISO 32cSt at 40°C) or Dexron transmission fluid.
- Fill the engine with oil and gasoline as instructed in the manufacturer's manual. Perform maintenance on the engine as directed in that manual.

Inspect the following components:

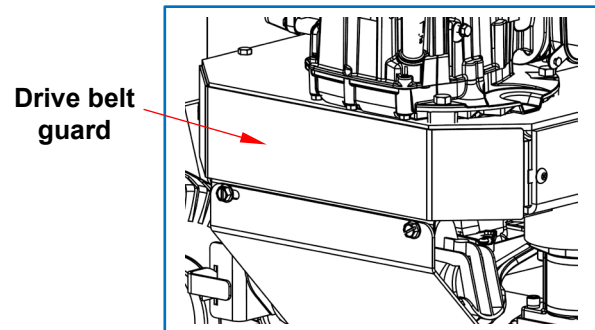
1. Motor: Maintain the motor as instructed in the manufacturer's manual. The manual is provided with the unit.

2. Drive chain (one for each drive wheel): every other oil change, inspect the chains. To access the chains, remove the cover plates fastened to both ends of the drive housing. Refer to the appropriate *Sprocket Drive Subassembly* on pages 23 and 24.

- A. Check the tension of both chains. They should not be taut but also should not be so loose that they slap against the housing or jump on the sprockets. Adjust the chains by applying pressure to the hex head with a wrench while loosening the lock nut.
- B. Check set screws on the front and rear sprockets, drive shaft coupling, motor pulley, and pump pulley. Confirm that the set screws are tight. Tighten all loose screws. Apply thread locker to keep connections tight.
- C. The front wheel sprocket should line up with the axle sprocket
- D. Lubricate the drive chains with spray grease as needed, e.g. if the drive train becomes noisy.



3. At least once per month, remove the drive belt guard. Determine the condition of the drive belt (*Exploded Views* on pages 9-17; part number 50-042-008; 50-042-009; or 50-042-010) and drive pulley (part number 50-027-003; or 50-027-004). Unseat the belt from the drive pulleys to relieve belt tension. Then, examine the pump assembly (part number 50-643-012 or 50-643-001): Idler pulley on top of the pump as well as the pump bearings and shaft. Look for damage and significant wear. Replace any component that is significantly worn, in particular, the belt.



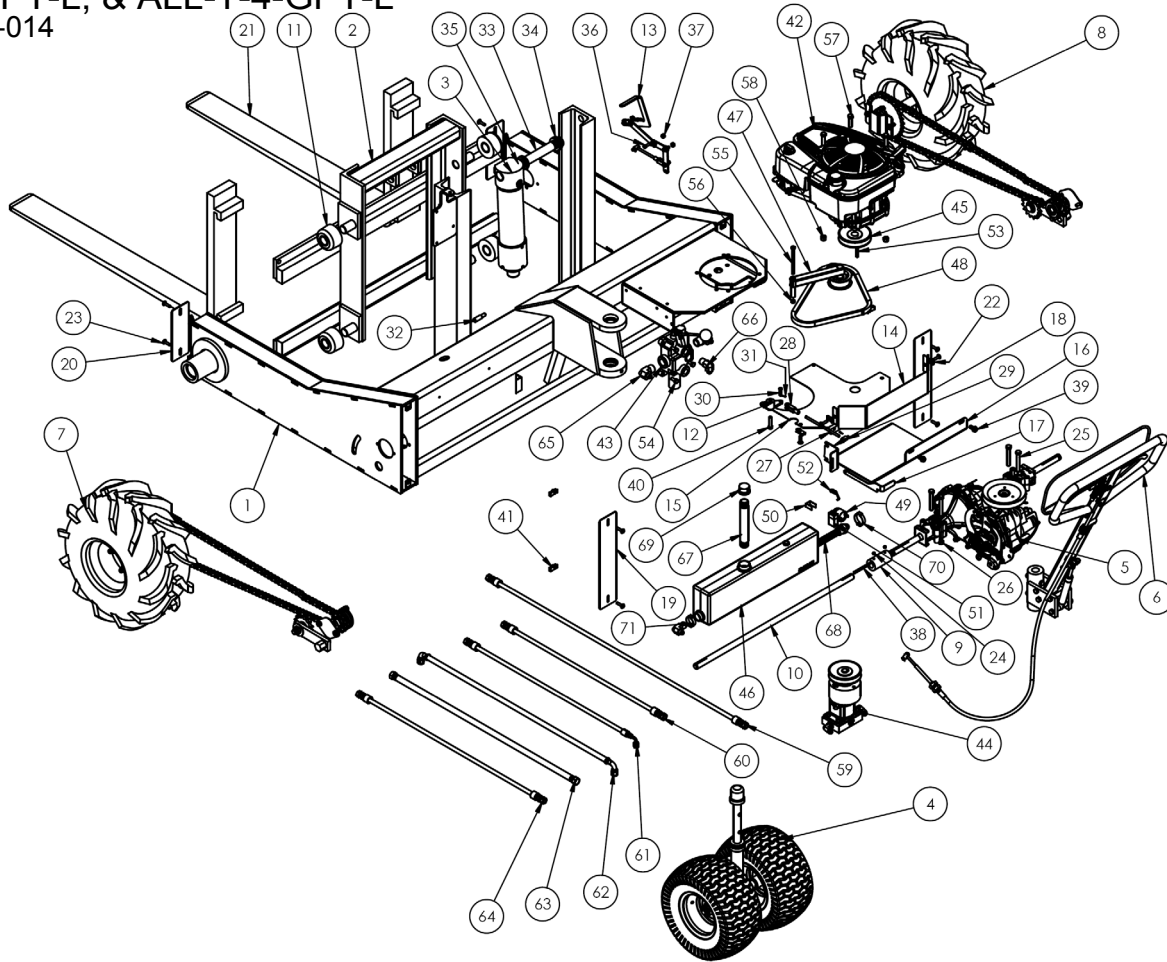
4. Check the hydraulic system.

- a. Before each use:
 - i. Cycle the carriage all the way up and then all the way down. Movement should be smooth in both directions, i.e. no binding, jumps, skips.
 - ii. Check the hydraulic hoses for signs of wear, kinks, cuts, etc. Replace damaged hoses.
- b. At least once per month, examine the hydraulic oil. The oil reservoir is located next to the hydraulic pump. First, fully lower the carriage. Remove the brass fill plug from the top of the reservoir and examine the oil. Change the oil if it darkens, becomes gritty, or has a milky appearance (indicating that water is present). Replace the oil with AW-32 hydraulic fluid or its equivalent.
- c. Before each use,

5. Before each use make sure all labels are in place & in readable condition. See [Labeling diagram](#) on p. 25.

6. Periodically clean dirt and debris from all surfaces to keep the finish in good condition. Store the unit indoors.

Complete Exploded View and Bill of Materials: ALL-T-2-GPT, ALL-T-4-GPT, ALL-T-2-GPT-L, & ALL-T-4-GPT-L
50-006-014



Item	Part no.	Description	Qty.	Item	Part no.	Description	Qty.
1	50-514-004 50-514-022	Weldment, frame assembly: ALL-T-2-GPT & ALL-T-4-GPT ALL-T-2-GPT-L & ALL-T-4-GPT-L	1 1	12	50-540-006	Weldment, shifter plate	1
2	50-538-001	Weldment, carriage	1	13	50-540-009	Assembly, lever, brake	1
3	99-021-906-001 99-021-901-001	Cylinder, hydraulic: ALL-T-2-GPT & ALL-T-2-GPT-L ALL-T-4-GPT & ALL-T-4-GPT-L	2 2	14	50-024-011	Cover, rear belt	1
•4	50-612-008	Assembly, axle, rear wheel (1)	1	15	50-024-012	Cover, lower belt, formed	1
5	50-612-006	Assembly, transaxle, 3/4" shaft	1	16	50-024-014	Cover, skid plate	1
••6	50-525-002	Weldment, steering handle	1	17	50-040-010	OR4 TA neutral lever	1
•••7	50-542-003 50-542-005	Subassembly, sprocket drive, left (exploded view on p. 18): ALL-T-2-GPT & ALL-T-4-GPT ALL-T-2-GPT-L & ALL-T-4-GPT-L	1 1	18	50-016-024	Bracket, neutral, formed	1
••••8	50-542-004 50-542-006	Subassembly, sprocket drive, right (exploded view on p. 17): ALL-T-2-GPT & ALL-T-4-GPT ALL-T-2-GPT-L & ALL-T-4-GPT-L	1 1	19	50-024-006	Cover, rear leg	2
9	50-145-002	Coupler, drive shaft	1	20	50-024-016	Cover, front leg	2
10	50-026-002	Shaft, drive	1	21	38-028-007 38-028-013 50-028-001 50-028-002	Fork: ALL-T-2-GPT ALL-T-4-GPT ALL-T-2-GPT-L ALL-T-4-GPT-L	2 2 2 2
11	15-527-004	Subassembly, roller	4	22	99-145-104	U-nut	2

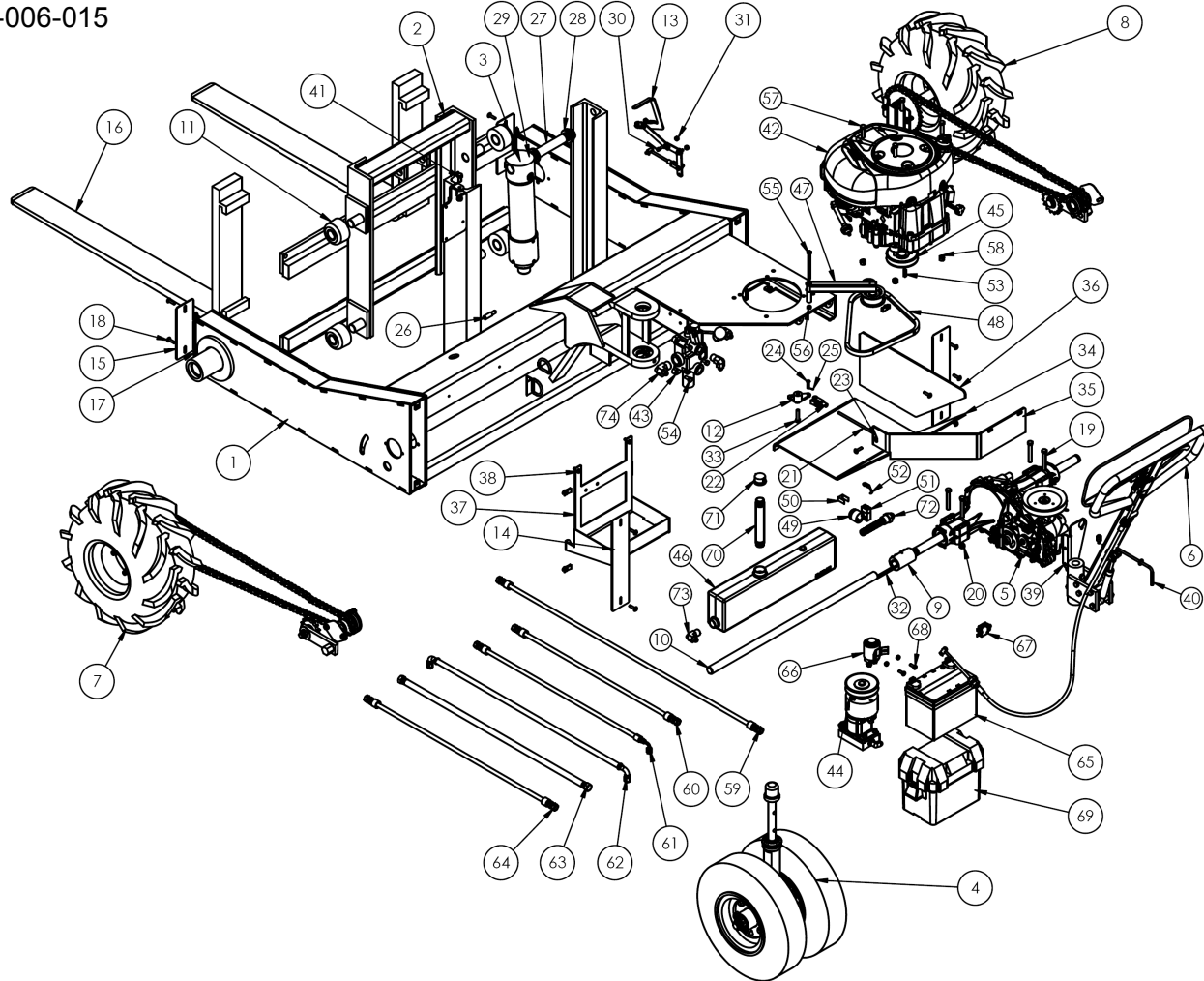
Bill of Materials continues on page 8

Item	Part no.	Description	Qty.	Item	Part no.	Description	Qty.
23	29185	Screw, machine, truss head	13	*48	50-042-008	Belt, 1/2" x 38"	1
24	25326	Screw, socket set, black oxide, 1/4"-20 x 1/4"	2	*49	99-034-134	Horn	1
25	11114	Bolt, HHCS, #2, zinc-plated, 3/8"-16 x 2 3/4"	4	*50	50-034-003	Accessories, electrical, 9V battery clip	1
26	36106	Hex nut, gr. A, z-plated, 3/8"-16	4	*51	50-139-001	Battery, 9V	1
27	50-145-009	Transaxle link, threaded rod	1	*52	50-034-002	Accessories, Electrical, (V battery snap	1
28	43520	Adjustable yoke end, 2"x 6/16" x 5/8" x 1/4"-28	1	*53	99-130-001	Pin, keystone	1
29	50-120-001	Nut, brake	1	*54	11053	Bolt, HHCS, #2, z-plated, 5/16"-18 x 3/4"	3
30	66026	Pin, clevis, 1/4" x 1"	1	*55	11019	Hex bolt, gr. A, z-plated, 1/4"-20 x 4"	1
31	65012	Cotter pin, z-plated, 1/16" x 1/2"	2	*56	37018	Nylon lock nut, gr. 2, z-finish, 1/4"-20	1
32	01-118-001	Bolt, cylinder retaining, 1/2"-13 x 2"	1	*57	11109	Hex bolt, gr. A, z-finish, 3/8"-16 x 1 1/2"	3
33	15-112-002	Pin, cylinder bracket	1	*58	37024	Nylon insert lock nut, gr. 2, zinc finish, 3/8"-16	3
34	33454	Narrow machinery bushing, plain, 1 3/4" x 18ga.	8	*59	50-623-009	Hose, subassembly, cylinder	1
35	68021	External retaining ring, phosphate finish, 1 1/8"	2	*60	50-623-008	Subassembly, hose, valve return	1
36	23203	Bolt, SHCS, 1/4"-20 x 3/4"	1	*61	50-623-010	Subassembly, hose, pump	1
37	36102	Hex nut, gr. A, z-plated, 1/4"-20	3	*62	50-623-007	Subassembly, hose, return	1
38	50-130-006	Pin, key, axle extension	1	*63	50-623-006	Subassembly, hose, suction	1
39	32416	Thread-cutting screw, slotted, type F, z-plated, 5/16"-18 x 3/4"	4	*64	50-623-011	Subassembly, hose, valve	1
40	11059	Bolt, #2, z-plated. 5/16"-18UNC x 1 1/2"	1	*65	99-116-074	Fitting, hydraulic, 06MJ-12MP 90° elbow	2
41	99-145-105	U-nut, 1/4"-20	11	*66	99-116-073	Fitting, hydraulic, 06MJ-08MP 90° elbow	2
*42	99-159-007	Engine, 190cc	1	*67	99-031-078	Accessories, pipe, 3/4" NPT	1
*43	50-638-002	Assembly, T3 valve	1	*68	01-031-005	Filter, reservoir, hydraulic	1
*44	50-643-001	Subassembly, pump, hydraulic gear	1	*69	99-031-094	Accessories, cap 3/4"	1
*45	50-027-003	Pulley, engine	1	*70	99-031-095	Accessories, clamp, 2 ear, 1 7/16"	1
*46	50-523-001	Subassembly, reservoir	1	*71	99-031-096	Accessories, clamp, 2 ear, 1 1/8"	1
*47	50-540-003	Assembly, belt tensioner	1				

- Item 4 shown in [Rear Wheel Axle Assembly \(1\) Exploded View](#) on p. 17.
- Item 6 shown in [Steering Handle Subassembly Exploded View](#) on p. 18.
- Item 7 shown in [Sprocket Drive Subassembly, Left Side, Exploded View\(s\)](#) on p. 24.
- Item 8 shown in [Sprocket Drive Subassembly, Right Side, Exploded View\(s\)](#) on p. 23.
- * Components of [Power Unit Subassembly 50-160-002](#) on p. 20.

Complete Exploded View and Bill of Materials: ALL-T-2-GPT-10HP, ALL-T-4-GPT-10HP, ALL-T-2-GPT-L-10HP & ALL-T-4-GPT-L-10HP

50-006-015



Item	Part no.	Description	Qty.	Item	Part no.	Description	Qty.
1	50-514-024 50-514-025	Weldment, frame assembly: ALL-T-2-GPT-10HP & ALL-T-4-GPT-10HP ALL-T-2-GPT-L-10HP & ALL-T-4-GPT-L-10HP	1 1	10	50-026-001	Shaft, drive	1
•2	50-538-001	Weldment, carriage	1	11	15-527-004	Subassembly, roller	4
3	99-021-906-001 99-021-901-001	Cylinder, hydraulic: ALL-T-2-GPT-10HP & ALL-T-4-GPT-10HP ALL-T-2-GPT-L-10HP & ALL-T-4-GPT-L-10HP	1 1	12	50-540-006	Weldment, shifter plate	1
•4	50-632-002	Assembly, axle, rear wheel (2)	1	13	50-540-009	Assembly, lever, brake	1
5	50-612-007	Assembly, transaxle, 1" shaft	1	14	50-024-006	Cover, rear leg	2
••6	50-525-002	Weldment, steering handle	1	15	50-024-016	Cover, front leg	2
•••7	50-542-007 50-542-009	Subassembly, sprocket drive, left (exploded view on p. 18): ALL-T-2-GPT-10HP & ALL-T-4-GPT-10HP ALL-T-2-GPT-L-10HP & ALL-T-4-GPT-L-10HP	1 1	16	38-028-007 38-028-013 50-028-001 50-028-002	Fork: ALL-T-2-GPT ALL-T-4-GPT ALL-T-2-GPT-L ALL-T-4-GPT-L	2 2 2 2
•••8	50-542-008 50-542-010	Subassembly, sprocket drive, right (exploded view on p. 17): ALL-T-2-GPT-10HP & ALL-T-4-GPT-10HP ALL-T-2-GPT-L-10HP & ALL-T-4-GPT-L-10HP	1 1	17	99-145-105	U-nut, 1/4"-20	9
9	50-145-004	Coupler, drive shaft	1	18	29185	Screw, machine, truss head	13

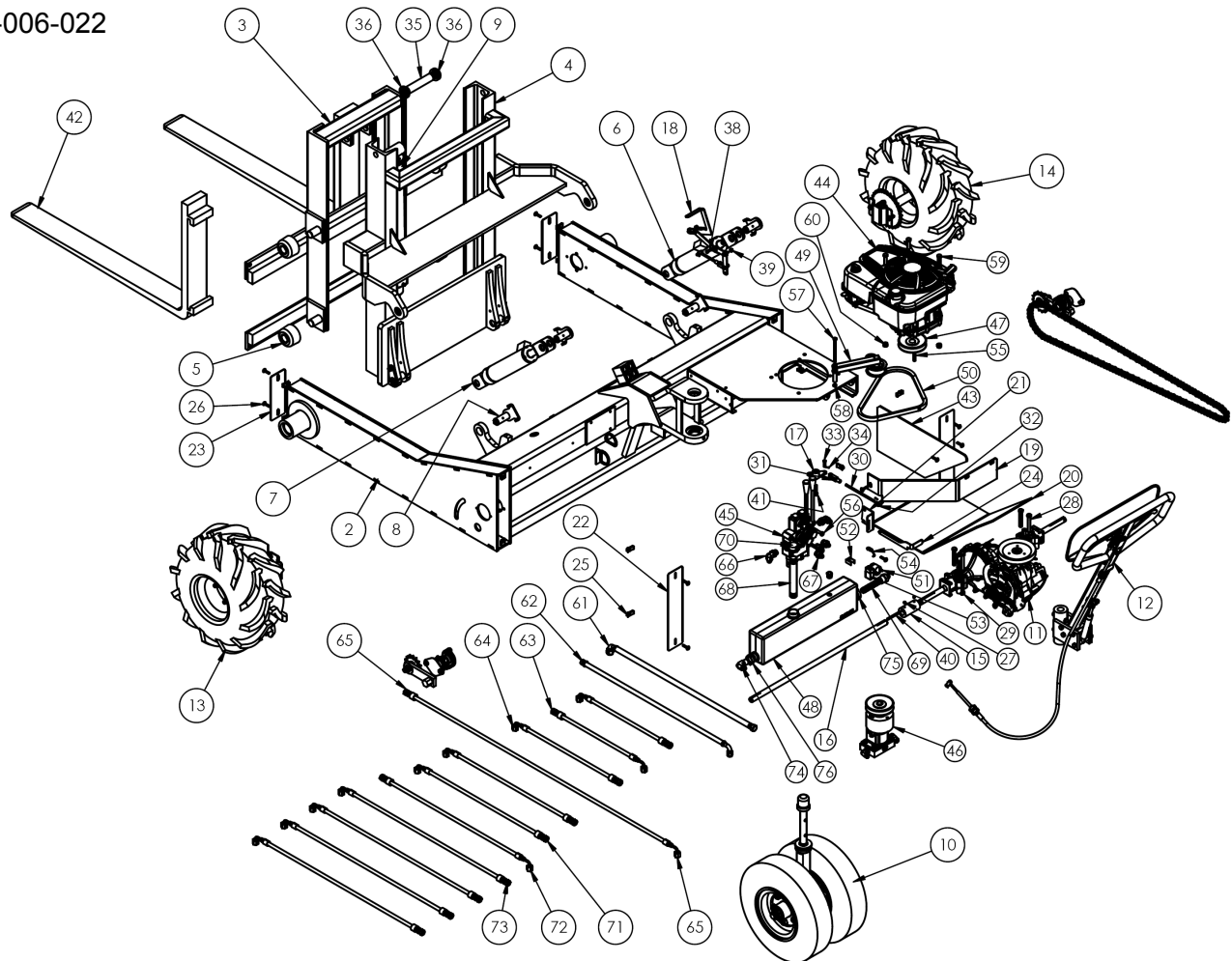
Bill of Materials continues on page 8

Item	Part no.	Description	Qty.	Item	Part no.	Description	Qty.
19	11114	Bolt, HHCS, #2, zinc-plated, $\frac{3}{8}$ "-16 x $2\frac{3}{4}$ "	4	*47	50-540-005	Assembly, belt tensioner	1
20	36106	Hex nut, gr. A, z-plated, $\frac{3}{8}$ "-16	5	*48	50-042-009	Belt, $\frac{1}{2}$ " x 40"	1
21	50-145-009	Transaxle link, threaded rod	1	*49	99-034-134	Horn	1
22	43520	Adjustable yoke end, 2 "x $\frac{6}{16}$ "x $\frac{5}{8}$ "x $\frac{1}{4}$ "-28	1	*50	50-034-003	Accessories, electrical, 9V battery clip	1
23	50-120-001	Nut, brake	2	*51	50-139-001	Battery, 9V	1
24	66026	Pin, clevis, $\frac{1}{4}$ " x 1"	1	*52	50-034-002	Accessories, Electrical, (V battery snap	1
25	65012	Cotter pin, z-plated, $\frac{1}{16}$ " x $\frac{1}{2}$ "	3	*53	99-130-003	Pin, keystone	1
26	01-118-001	Bolt, cylinder retaining, $\frac{1}{2}$ "-13 x 2"	1	*54	11053	Bolt, HHCS, #2, z-plated, $\frac{5}{16}$ "-18 x $\frac{3}{4}$ "	3
27	15-112-002	Pin, cylinder bracket	1	*55	11019	Hex bolt, gr. A, z-plated, $\frac{1}{4}$ "-20 x 4"	1
28	33454	Narrow machinery bushing, plain, $\frac{1}{4}$ " x 18ga.	8	*56	37018	Nylon lock nut, gr. 2, z-finish, $\frac{1}{4}$ "-20	3
29	68021	External retaining ring, phosphate finish, $\frac{1}{8}$ "	2	*57	11109	Hex bolt, gr. A, z-finish, $\frac{3}{8}$ "-16 x $1\frac{1}{2}$ "	4
30	23203	Bolt, SHCS, $\frac{1}{4}$ "-20 x $\frac{3}{4}$ "	1	*58	37024	Nylon insert lock nut, gr. 2, zinc finish, $\frac{3}{8}$ "-16	4
31	36102	Hex nut, gr. A, z-plated, $\frac{1}{4}$ "-20	3	*59	50-623-009	Hose, subassembly, cylinder	1
32	50-130-007	Pin, key, axle extension	1	*60	50-623-008	Subassembly, hose, valve return	1
33	11059	Bolt, #2, z-plated. $\frac{5}{16}$ "-18UNC x $1\frac{1}{2}$ "	1	*61	50-623-010	Subassembly, hose, pump	1
34	50-024-009	Guard, skid plate, 10HP	1	*62	50-623-007	Subassembly, hose, return	1
35	50-024-017	Guard, skid plate top, formed	1	*63	50-623-006	Subassembly, hose, suction	1
36	50-024-015	Guard, right side transaxle	1	*64	50-623-011	Subassembly, hose, valve	1
37	50-514-005	Weldment, battery box	1	*65	21-139-002	Battery, 12V, sealed lead-acid (AGM)	1
38	32408	Thread-cutting screw, slotted, type F, z-plated, $\frac{1}{4}$ "-20 x $\frac{3}{4}$ "	2	*66	99-034-028	Accessories, motor contactor, 12V coil	1
39	50-016-008	Bracket, drive to neutral, formed	1	*67	21-034-004	Circuit breaker	1
40	50-525-001	Weldment, handle, drive to neutral	1	*68	11003	Hex bolt, gr. A, z-finish, $\frac{1}{4}$ "-20 x $\frac{3}{4}$ "	2
41	11103	Hex bolt, gr. A, z-finish, $\frac{3}{8}$ "-16 x $\frac{3}{4}$ "	1	*69	50-034-004	Accessories, battery box, series 16	1
*42	99-659-001	Assembly, engine, 190cc	1	*70	99-031-078	Accessories, pipe, $\frac{3}{4}$ " NPT	1
*43	50-638-002	Assembly, T3 valve	1	*71	99-031-094	Accessories, cap $\frac{3}{4}$ "	1
*44	50-643-001	Subassembly, pump, hydraulic gear	1	*72	01-031-005	Filter, reservoir, hydraulic	1
*45	50-027-004	Pulley, engine	1	*73	99-116-073	Fitting, hydraulic, 06MJ-08MP 90° elbow	2
*46	50-523-001	Subassembly, reservoir	1	*74	99-116-074	Fitting, hydraulic, 06MJ-12MP 90° elbow	2

- Item 4 shown in [Rear Wheel Axle Assembly \(2\) Exploded View](#) on p. 17.
- Item 6 shown in [Steering Handle Subassembly Exploded View](#) on p. 18.
- Item 7 shown in [Sprocket Drive Subassembly, Left Side, Exploded View\(s\)](#) on p. 24.
- Item 8 shown in [Sprocket Drive Subassembly, Right Side, Exploded View\(s\)](#) on p. 23.
- * Components of [Power Unit Subassembly 50-160-003](#) on p. 20.

Complete Exploded View and Bill of Materials: ALL-T-2-GPT-PT, ALL-T-4-GPT-PT, ALL-T-2-GPT-L-PT, & ALL-T-4-GPT-L-PT

50-006-022



Item	Part no.	Description	Qty.	Item	Part no.	Description	Qty.
1	50-214-027	Subassembly, frame, tilt	1	16	50-026-002	Shaft, drive	1
2	50-514-023	Weldment, frame assembly	1	17	50-540-006	Weldment, shifter plate	1
3	50-538-002	Weldment, carriage	1	18	50-540-009	Assembly, lever, brake	1
4	50-514-012	Weldment, frame, tilt mast	1	19	50-024-017	Guard, skid plate, top, formed	1
5	15-527-004	Subassembly, roller	4	20	50-024-009	Guard, skid plate, 10HP	1
6	50-521-001	Assembly, cylinder, hydraulic, 2"x2 1/4" piston style with clevis mounts (right hand port)	1	21	50-016-024	Bracket, neutral, formed	1
7	50-521-002	Assembly, cylinder, hydraulic, 2x2 1/4" piston style with clevis mounts (left hand port)	1	22	50-024-006	Cover, rear leg	2
8	03-612-002	Assembly, hinge pin	4	23	50-024-016	Cover, front leg	2
9	99-021-909-001 99-021-952	Cylinder, hydraulic ALL-T-2-GPT-PT & ALL-T-2-GPT-L-PT ALL-T-4-GPT-PT & ALL-T-4-GPT-L-PT	1 1	24	50-040-010	OR4 TA neutral lever	1
•10	50-623-002	Assembly, axle, rear wheel (2)	1	25	99-145-105	U-nut, 1/4"-20	9
11	50-612-006	Assembly, transaxle, 3/4" shaft	1	26	29185	Screw, machine, truss head	13
••12	50-525-002	Weldment, steering handle	1	27	25326	Socket set screw, black oxide, 1/4"-20x1 1/4"	2
•••13	50-542-005	Subassembly, sprocket, drive, left	1	28	11114	Bolt, HHCS #2, z-plated, 3/8"-16x2 3/4"	4
••••14	50-542-006	Subassembly, sprocket, drive, right	1	29	36106	Hex nut, gr. A, z-plated, 3/8"-16	4
15	50-145-002	Coupler, drive shaft	1	30	50-145-009	Transaxle link, threaded rod	1

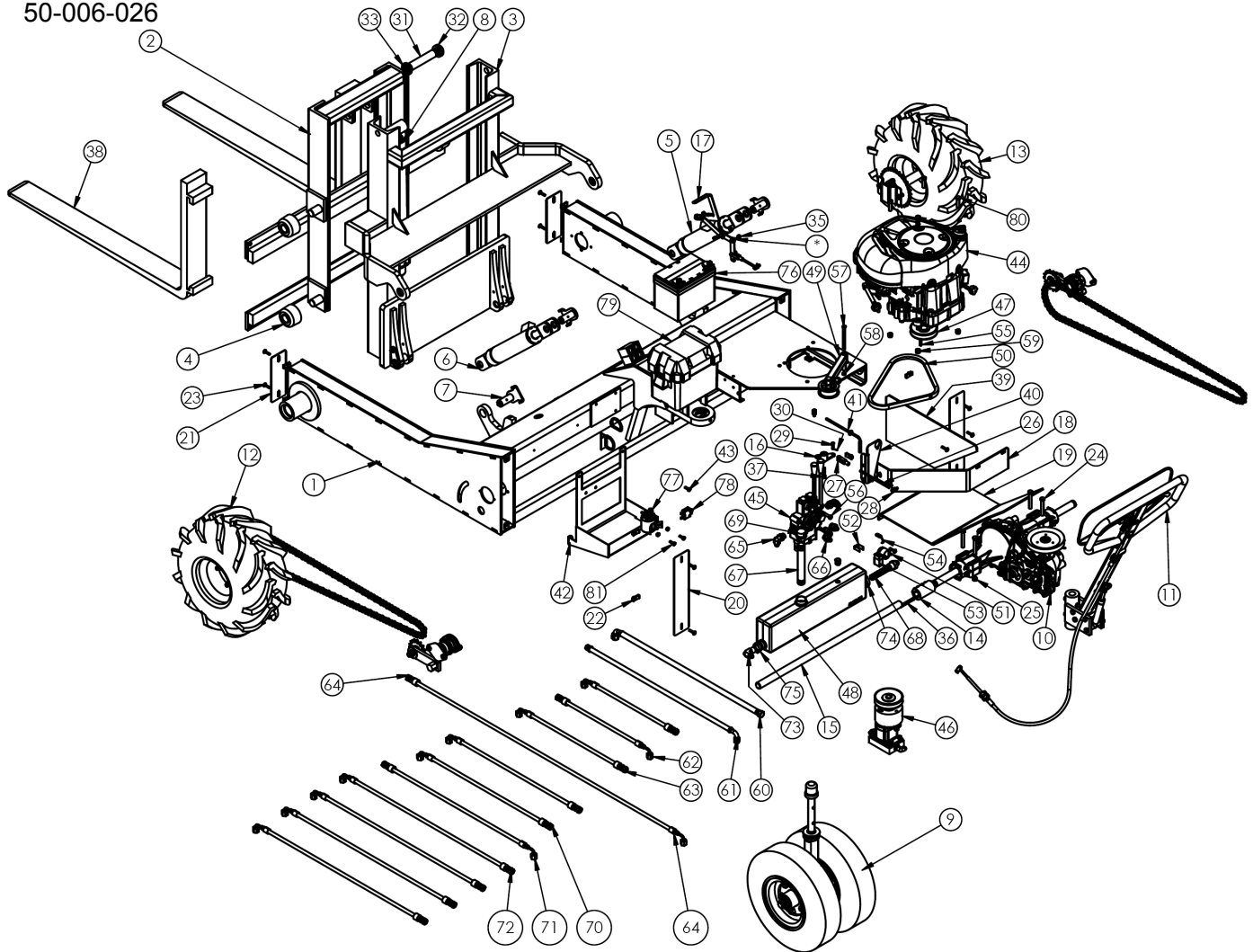
Bill of Materials continues on page 8

Item	Part no.	Description	Qty.	Item	Part no.	Description	Qty.
31	43520	Adjustable yoke end, 2"x ⁷ / ₁₆ "x ⁵ / ₈ "x ¹ / ₄ "-28	1	*54	50-034-002	Accessories, 9V battery snap	1
32	50-120-001	Nut, brake	1	*55	99-130-001	Pin, keystick	1
33	66026	Pin, clevis, ¹ / ₄ "x1"	1	*56	11061	Bolt, HHCS, #2, z-plated, ⁵ / ₁₆ "-18x2"	3
34	65012	Cotter pin, z-plated, ¹ / ₁₆ "x ¹ / ₂ "	2	*57	11019	Hex bolt, gr. A, z-plated, ¹ / ₄ "-20x4"	1
35	15-112-002	Pin, cylinder bracket	1	*58	37018	Nylon lock nut, gr. 2, z- finish, ¹ / ₄ "-20	1
36	33454	Narrow machinery bushing, plain, ³ / ₄ " x 18ga.	8	*59	11109	Hex bolt, gr. A, z-finish, ³ / ₈ "- 16x ¹ / ₂ "	3
37	68021	External retaining ring, phosphate finish, ¹ / ₈ "	2	*60	37024	Nylon insert lock nut, gr. 2, z-finish, ³ / ₈ "-16	3
38	23203	Bolt, SHCS, utility grade, ¹ / ₄ "-20x ³ / ₄ "	1	*61	50-623-012	Subassembly, hose, suction, tank-to-pump	1
39	36102	Hex nut, gr. A, z-plated, ¹ / ₄ "- 20	3	*62	50-623-013	Subassembly, hose, return, valve-to-tank	1
40	50-130-006	Pin, key, axle extension	1	*63	50-623-014	Subassembly, hose, bottom tilt, bulkhead-to-block & lift, bulkhead-to-cylinder	2
41	11059	Bolt, #2, z-plated, ⁵ / ₁₆ "- 18UNCx ¹ / ₂ "	1	*64	50-623-015	Subassembly,, hose, top tilt, bulkhead-to-block	1
42	38-028-007 38-028-013 50-028-001 50-028-002	Fork ALL-T-2-GPT-PT ALL-T-4-GPT-PT ALL-T-2-GPT-L-PT ALL-T-4-GPT-L-PT	2	*65	50-623-016	Subassembly, hose, valve- to-pump	1
43	50-024-015	Guard, right side transaxle	1	*66	99-116-119	Fitting, hydraulic, 06MJ08MA ORB 90° elbow	2
*44	99-159-007	Engine 190cc	1	*67	99-116-096	Fitting, hydraulic, 06MJ- 08MORB STRAIGHT	3
*45	50-638-001	Assembly, valve, double	1	*68	99-031-078	Accessories, pipe, ³ / ₄ " NPT	1
*46	50-643-001	Subassembly, pump, hydraulic gear	1	*69	01-031-005	Filter, reservoir, hydraulic	1
*47	50-027-003	Pulley, engine	1	*70	99-031-094	Accessories, cap, ³ / ₄ "	1
*48	50-523-001	Subassembly, reservoir	1	*71	50-623-017	Subassembly, hose, tilt, valve-to-bulkhead	2
*49	50-540-003	Assembly, belt tensioner	1	*72	50-623-019	Subassembly, hose, lift, valve-to-bulkhead	1
*50	50-042-010	Belt, ¹ / ₂ "x46"	1	*73	50-623-018	Subassembly, hose, block- to-tilt-cylinder	4
*51	99-034-134	Horn, ALL-T	1	*74	99-116-073	Fitting, hydraulic, 06MJ- 08MP 90° elbow	1
*52	50-034-003	Accessories, 9V battery clip	1	*75	99-031-095	Accessories, clamp, 2 ear, ¹ / ₁₆ "	1
*53	50-139-001	Battery, 9V	1	*76	99-031-096	Accessories, clamp, 2 ear ¹ / ₈ "	1

- Item 10 shown in [Rear Wheel Axle Assembly \(2\) Exploded View](#) on p. 17.
- Item 12 shown in [Steering Handle Subassembly Exploded View](#) on p. 18.
- Item 13 shown in [Sprocket Drive Subassembly, Left Side, Exploded View\(s\)](#) on p. 24.
- Item 14 shown in [Sprocket Drive Subassembly, Right Side, Exploded View\(s\)](#) on p. 23.
- * Components of [Power Unit Subassembly 50-160-004](#) on p. 21.

Complete Exploded View and Bill of Materials: ALL-T-2-GPT-PT-10HP; ALL-T-4-GPT-PT-10HP; ALL-T-2-GPT-L-PT-10HP; & ALL-T-4-GPT-L-PT-10HP

50-006-026



Item	Part no.	Description	Qty.	Item	Part no.	Description	Qty.
1	50-214-026	Subassembly, frame, tilt	1	14	50-145-004	Coupler, drive shaft	1
2	50-538-002	Weldment, carriage	1	15	50-026-001	Shaft, drive	1
3	50-514-012	Weldment, frame, tilt mast	1	16	50-540-006	Weldment, shifter plate	1
4	15-527-004	Subassembly, roller	4	17	50-540-009	Assembly, lever, brake	1
5	50-521-001	Assembly, cylinder, hydraulic, 2"x2 ¹ / ₄ " piston style with clevis mounts (right hand port)	1	18	50-024-017	Guard, skid plate, top, formed	1
6	50-521-002	Assembly, cylinder, hydraulic, 2x2 ¹ / ₄ " piston style with clevis mounts (left hand port)	1	19	50-024-009	Guard, skid plate, 10HP	1
7	03-612-002	Assembly, hinge pin	4	20	50-024-006	Cover, rear leg	2
8	99-021-909-001	Cylinder, hydraulic ALL-T-2-GPT-PT-10HP & ALL-T-2-GPT-L-PT-10HP	1	21	50-024-016	Cover, front leg	2
	99-021-952	ALL-T-4-GPT-PT-10HP & ALL-T-4-GPT-L-PT-10HP	1				
•9	50-623-002	Assembly, axle, rear wheel (2)	1	22	99-145-105	U-nut, 1/4"-20	9
10	50-612-007	Assembly, transaxle, 3/4" shaft	1	23	29185	Screw, machine, truss head	13
••11	50-525-002	Weldment, steering handle	1	24	11114	Bolt, HHCS #2, z-plated, 3/8"-16x2 ³ / ₄ "	4
•••12	50-542-009	Subassembly, sprocket, drive, left	1	25	36106	Hex nut, gr. A, z-plated, 3/8"-16	4
••••13	50-542-010	Subassembly, sprocket, drive, right	1	26	50-145-009	Transaxle link, threaded rod	1

Bill of Materials continues on page 8

Item	Part no.	Description	Qty.	Item	Part no.	Description	Qty.
27	43520	Adjustable yoke end, 2"x ⁷ / ₁₆ "x ⁵ / ₈ "x ¹ / ₄ "-28	1	*55	99-130-003	Pin, keystock	1
28	50-120-001	Nut, brake	1	*56	11061	Bolt, HHCS, #2, z-plated, ⁵ / ₁₆ "-18x2"	3
29	66026	Pin, clevis, ¹ / ₄ "x1"	1	*57	11019	Hex bolt, gr. A, z-plated, ¹ / ₄ "-20x4"	1
30	65012	Cotter pin, z-plated, ¹ / ₁₆ "x ¹ / ₂ "	2	*58	37018	Nylon lock nut, gr. 2, z-finish, ¹ / ₄ "-20	1
31	15-112-002	Pin, cylinder bracket	1	*59	37024	Nylon insert lock nut, gr. 2, z-finish, ³ / ₈ "-16	3
32	33454	Narrow machinery bushing, plain, ¹ / ₄ " x 18ga.	8	*60	50-623-012	Subassembly, hose, suction, tank-to-pump	1
33	68021	External retaining ring, phosphate finish, ¹ / ₈ "	2	*61	50-623-013	Subassembly, hose, return, valve-to-tank	1
34	23203	Bolt, SHCS, utility grade, ¹ / ₄ "-20x ³ / ₄ "	1	*62	50-623-014	Subassembly, hose, bottom tilt, bulkhead-to-block & lift, bulkhead-to-cylinder	2
35	36102	Hex nut, gr. A, z-plated, ¹ / ₄ "-20	3	*63	50-623-015	Subassembly,, hose, top tilt, bulkhead-to-block	1
36	50-130-007	Pin, key, axle extension	1	*64	50-623-016	Subassembly, hose, valve-to-pump	1
37	11059	Bolt, #2, z-plated, ⁵ / ₁₆ "-18UNCx1 ¹ / ₂ "	1	*65	99-116-119	Fitting, hydraulic, 06MJ08MA ORB 90° elbow	2
38	38-028-007 38-028-013 50-028-001 50-028-002	Fork ALL-T-2-GPT-PT ALL-T-4-GPT-PT ALL-T-2-GPT-L-PT ALL-T-4-GPT-L-PT	2	*66	99-116-096	Fitting, hydraulic, 06MJ-08MORB STRAIGHT	3
39	50-024-015	Guard, right side transaxle	1	*67	99-031-078	Accessories, pipe, ³ / ₄ " NPT	1
40	50-016-008	Bracket, drive-to-neutral, formed	1	*68	01-031-005	Filter, reservoir, hydraulic	1
41	50-525-001	Weldment, handle, drive-to-neutral	1	*69	99-031-094	Accessories, cap, ³ / ₄ "	1
42	50-514-005	Weldment, battery box	1	*70	50-623-017	Subassembly, hose, tilt, valve-to-bulkhead	2
43	32408	Screw, thread cutting, ¹ / ₄ "-20x ³ / ₄ "	2	*71	50-623-019	Subassembly, hose, lift, valve-to-bulkhead	1
*44	99-659-001	Assembly, engine, 344cc	1	*72	50-623-018	Subassembly, hose, block-to-tilt-cylinder	4
*45	50-638-001	Assembly, valve, double	1	*73	99-116-073	Fitting, hydraulic, 06MJ-08MP 90° elbow	1
*46	50-643-001	Subassembly, pump, hydraulic gear	1	*74	99-031-095	Accessories, clamp, 2 ear, ¹ / ₁₆ "	1
*47	50-027-004	Pulley, motor	1	*75	99-031-096	Accessories, clamp, 2 ear ¹ / ₈ "	1
*48	50-523-001	Subassembly, reservoir	1	*76	21-139-002	Battery, 12V, sealed lead-acid	1
*49	50-540-003	Assembly, belt tensioner	1	*77	99-034-028	Accessories, motor contactor, 12V coil	1
*50	50-042-008	Belt, ¹ / ₂ "x38"	1	*78	21-034-004	Circuit breaker	1
*51	99-034-134	Horn	1	*79	50-034-004	Accessories, electrical battery box, series 16	1
*52	50-034-003	Accessories, 9V battery clip	1	*80	11109	Hex bolt, gr. A, z-finish, ³ / ₈ "-16x1 ¹ / ₂ "	4
*53	50-139-001	Battery, 9V	1	*81	11003	Hex bolt, gr. A, z-plated, ¹ / ₄ "-20x ³ / ₄ "	2
*54	50-034-002	Accessories, 9V battery snap	1				

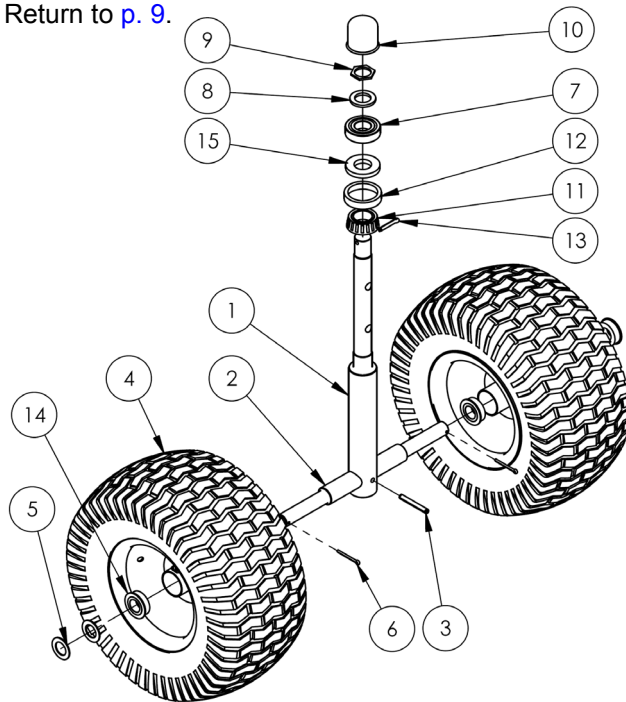
- Item 9 shown in [Rear Wheel Axle Assembly \(2\) Exploded View](#) on p. 17.
- Item 11 shown in [Steering Handle Subassembly Exploded View](#) on p. 18.
- Item 12 shown in [Sprocket Drive Subassembly, Left Side, Exploded View\(s\)](#) on p. 24.
- Item 13 shown in [Sprocket Drive Subassembly, Right Side, Exploded View\(s\)](#) on p. 23.
- * Components of [Power Unit Subassembly 50-160-005](#) on p. 22.

Rear Wheel Axle Assembly (1) Exploded View and Bill of Materials

ALL-T-2-GPT; ALL-T-4-GPT; ALL-T-2-GPT-L; ALL-T-4-GPT-L

50-612-008

Return to [p. 9](#).



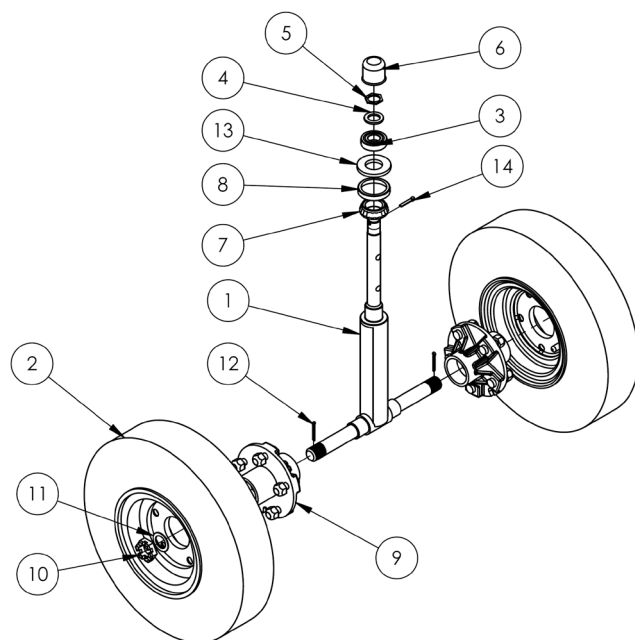
Item	Part no.	Description	Qty.
1	50-112-013	Pin, rear, king pin	1
2	50-112-014	Axle, rear	1
3	64255	1/4"x2" spring pin	1
4	16-132-235	Tire, rear, foam filled	2
5	33424	Machine bushing, low carbon, plain, 3/4"x18ga.	4
6	65078	Extended prong cotter pin, z-finish, 1/8"x1 1/2"	2
7	22-110-001	Bearing, upper steering	1
8	50-113-017	Shim, bearing spacer	1
9	50-113-014	Spacer, rear steering	1
10	50-145-010	Specialty hardware, cap, hex nut	1
11	50-110-002	Bearing, tapered	1
12	50-110-004	Bearing, cup	1
13	65124	Cotter pin, z-plated, 3/16"x1 1/4"	1
14	50-110-003	Bearing, ball, low speed, rear wheel	4
15	50-110-008	Bearing, seal	1

Rear Wheel Axle Assembly (2) Exploded View and Bill of Materials

ALL-T-2-GPT-PT; ALL-T-4-GPT-PT; ALL-T-2-GPT-L-PT; ALL-T-4-GPT-L-PT; ALL-T-2-GPT-10HP; ALL-T-4-GPT-10HP; ALL-T-2-GPT-L-10HP; ALL-T-4-GPT-L-10HP; ALL-T-2-GPT-PT-10HP; ALL-T-4-GPT-PT-10HP; ALL-T-2-GPT-L-PT-10HP; ALL-T-4-GPT-L-PT-10HP

50-623-002

Return to [p. 11](#); [p. 13](#); or [p. 15](#).

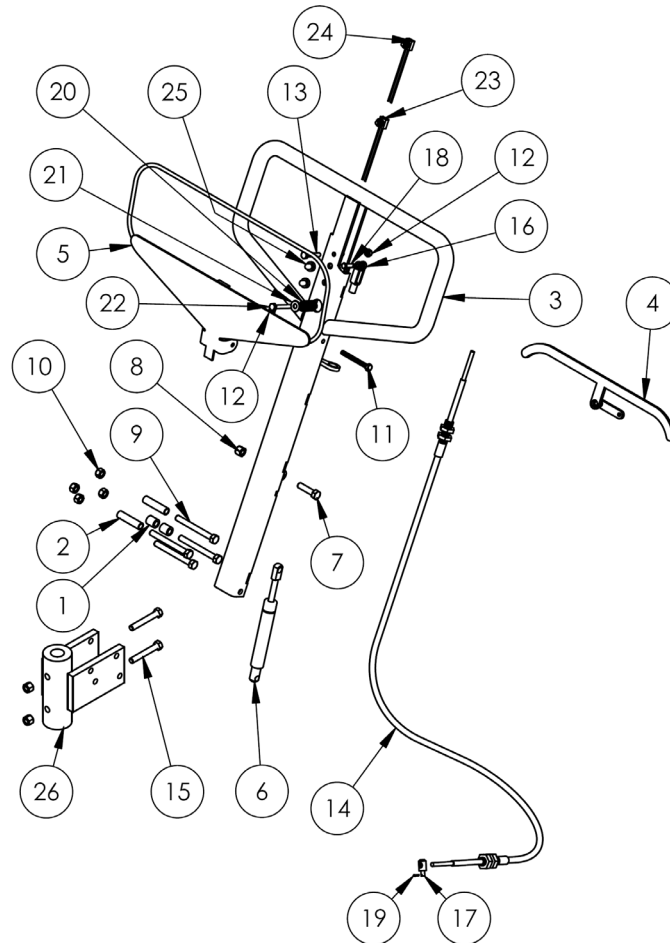


Item	Part no.	Description	Qty.
1	50-612-001	Weldment, rear king pin	1
2	16-132-361	Foam filled tire, 4.80"x8"	2
3	22-110-001	Bearing, upper steering	1
4	50-113-017	Shim, bearing spacer	1
5	50-113-014	Spacer, rear steering	1
6	50-145-010	Specialty hardware, cap, hex nut	1
7	50-110-005	Bearing, tapered	1
8	50-110-006	Bearing, cup	1
9	16-132-280	Wheel, rim for pneumatic tire	2
10	36870	Slotted jam nut, gr. 2, plain, 1"-14	2
11	33444	Machine bushing, 1"x18ga.	2
12	65078	Extended prong cotter pin, z-finish, 1/8"x1 1/2"	2
13	50-110-007	Bearing, seal	1
14	65124	Cotter pin, z-plated, 3/16"x1 1/4"	1

Steering Handle Subassembly Exploded View and Bill of Materials

50-525-002

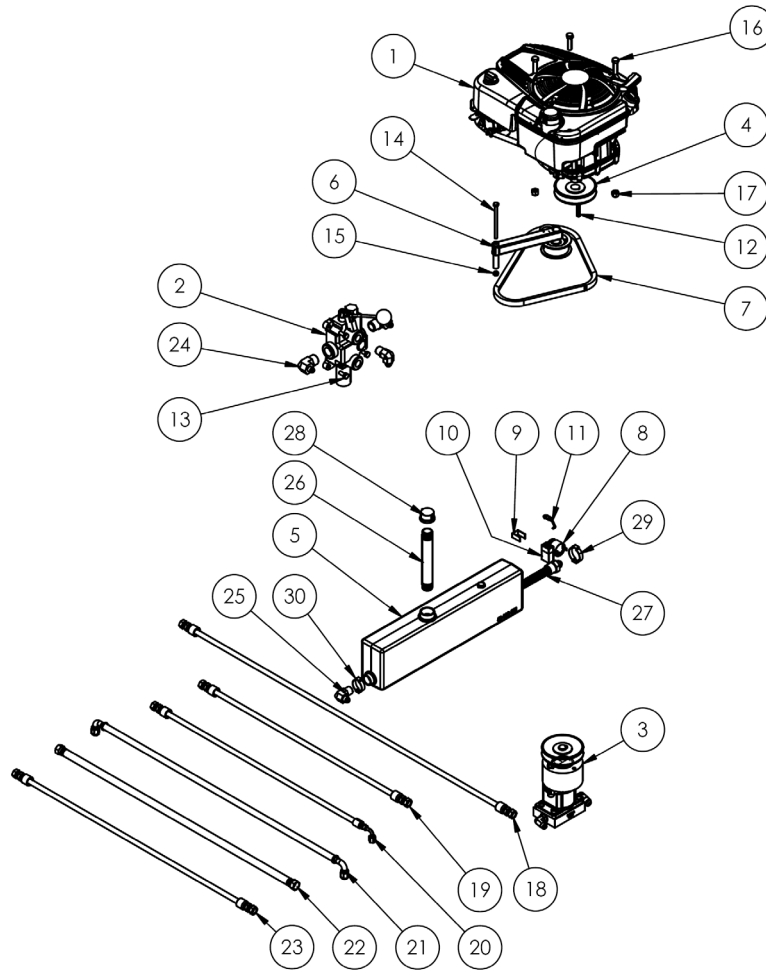
Return to [p. 9](#); [p. 11](#);
[p. 13](#); or [p. 15](#).



Item	Part no.	Description	Qty.	Item	Part no.	Description	Qty.
1	50-113-002	Spacer, air spring	2	14	50-145-003	Specialty hardware, shifter cable	1
2	50-113-03	Spacer, handle	2	15	11113	Hex bolt, gr. A, plain, $\frac{3}{8}$ "-16x2 $\frac{1}{2}$ "	2
3	50-525-003	Weldment, steering handle	1	16	43520	Adjustable yoke end, 2"x $\frac{7}{16}$ "x $\frac{5}{8}$ "x $\frac{1}{4}$ "-28	1
4	50-540-004	Weldment, shifter lever	1	17	50-120-001	Nut, brake	1
5	50-525-004	Weldment, safety bale	1	18	66026	Pin, clevis, $\frac{1}{4}$ "x1"	1
6	99-145-015	Specialty hardware, shock, tension	1	19	65012	Cotter pin, z-plated, $\frac{1}{16}$ "x $\frac{1}{2}$ "	2
7	11109	Hex bolt, gr. A, zinc finish, $\frac{3}{8}$ "-16x1 $\frac{1}{2}$ "	1	20	50-146-002	Spring, kill switch	1
8	37024	Nylon insert lock nut, gr. 2, z-finish, $\frac{3}{8}$ "-16	3	21	33004	Flat washer, USS, z-plated, $\frac{1}{4}$ "	1
9	11117	Bolt, HHCS, #2, z-plated, $\frac{3}{8}$ "-16x3 $\frac{1}{2}$ "	4	22	11010	Hex bolt, gr. A, z-plated, $\frac{1}{4}$ "-20x1 $\frac{3}{4}$ "	1
10	36106	Hex nut, gr. A, z-plated, $\frac{3}{8}$ "-16	4	23	50-022-001	Switch, PB SPST, normally closed	1
11	11013	Bolt, HHCS, #2, z-plated, $\frac{1}{4}$ "-20x2 $\frac{1}{2}$ "	1	24	50-022-002	Switch, PB SPST, normally open	1
12	37018	Nylon lock nut, gr. 2, z-finish $\frac{1}{4}$ "-20	3	25	50-034-001	Boot, switch	2
13	11009	Hex bolt, gr. A, z-plated, $\frac{1}{4}$ "-16x1 $\frac{1}{2}$ "	1	26	50-514-040	Weldment, frame, handle mount	1

ALL-T-(2 or 4)-GPT Power Unit Subassembly Exploded View and Bill of Materials 50-160-002

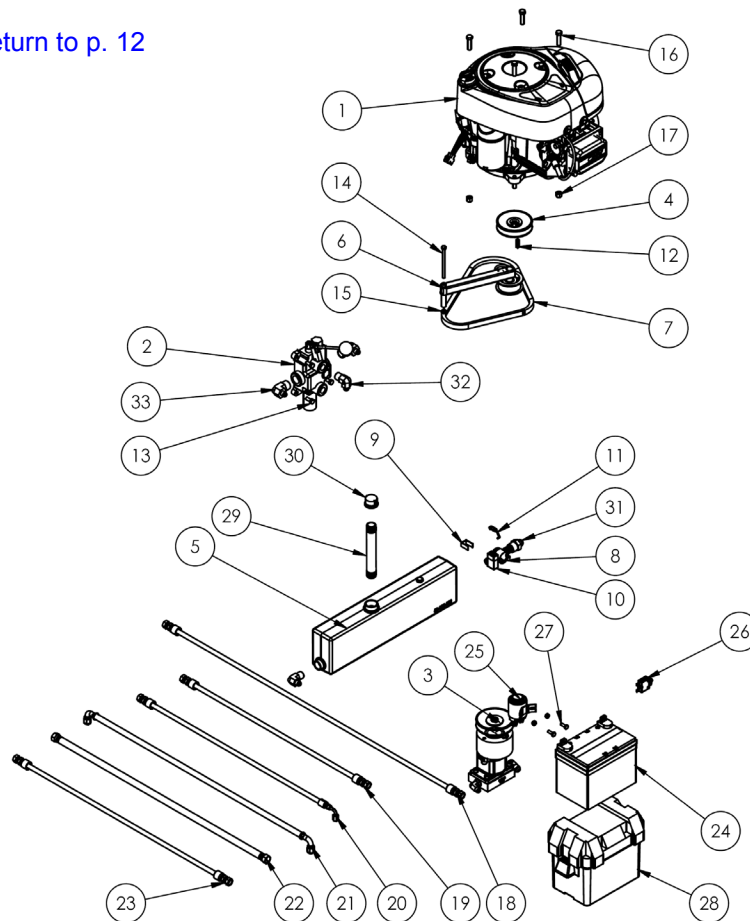
[Return to p. 10](#)



Item	Part no.	Description	Qty.	Item	Part no.	Description	Qty.
1	99-159-007	Engine ALL-T-GPT: 190cc ALL-T-GPT-10HP	1	16	11109	$\frac{3}{8}$ "-16x1 $\frac{1}{2}$ " hex bolt, gr. A, zinc finish	3
2	50-638-002	Assembly, T3 valve	1	17	37024	$\frac{3}{8}$ "-16 Nylon insert lock nut, gr. 2, z-finish	3
3	50-643-001	Subassembly, pump, hydraulic, gear	1	18	50-623-009	Subassembly, hose, cylinder	1
4	50-027-003	Pulley, engine	1	19	50-623-008	Subassembly, hose, valve return	1
5	50-523-001	Subassembly, reservoir	1	20	50-623-010	Subassembly, hose, pump	1
6	50-540-003	Assembly, belt tensioner	1	21	50-623-007	Subassembly, hose, return	1
7	15-042-003	Belt, $\frac{1}{2}$ "x55"	1	22	50-623-006	Subassembly, hose, suction	1
8	99-034-134	Horn, ALL-T	1	23	50-623-011	Subassembly, hose, valve	1
9	50-034-003	Accessories, electrical, 9V battery clip	1	24	99-116-074	Fitting, hydraulic, 06MJ-12MP 90°	2
10	50-139-001	Battery, 9V	1	25	99-116-073	Fitting, hydraulic, 06MJ-08MP 90°	2
11	50-034-002	Accessories, electrical, 9V battery snap	1	26	99-031-078	Accessories, pipe, $\frac{3}{4}$ " NPT	
12	99-130-001	Pin, keystone	1	27	01-031-005	Filter, reservoir, hydraulic	1
13	11053	$\frac{5}{16}$ "-18x $\frac{3}{4}$ ", HHCS, #2, z-plated	3	28	99-031-094	Accessories, cap, $\frac{3}{4}$ "	1
14	11019	$\frac{1}{4}$ "-20x4" hex bolt, gr. A, z-plated	1	29	99-031-095	Accessories, clamp, 2 ear, 1 $\frac{7}{16}$ "	1
15	37018	$\frac{1}{4}$ "-20 Nylon insert lock nut, gr. 2, z-finish	3	30	99-031-096	Accessories, clamp, 2 ear, 1 $\frac{1}{8}$ "	1

ALL-T-(2 or 4)-GPT-10HP and ALL-T-(2 or 4)-GPT-L-10HP Power Unit Subassembly Exploded View and Bill of Materials 50-160-003

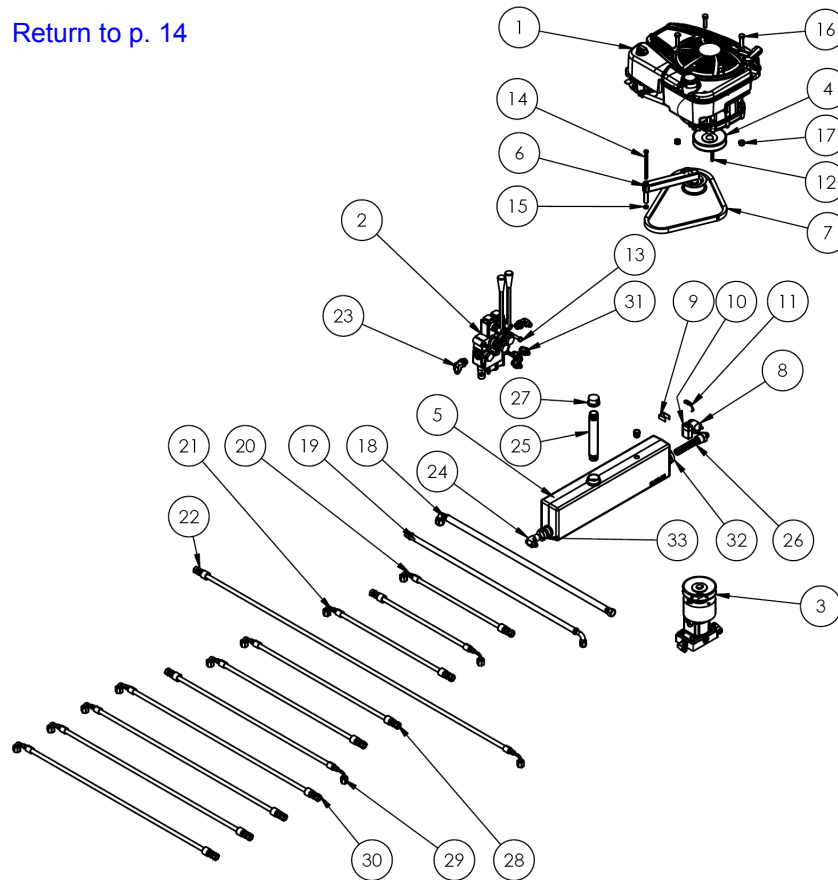
[Return to p. 12](#)



Item	Part no.	Description	Qty.	Item	Part no.	Description	Qty.
1	99-659-001	Engine, 344cc	1	18	50-623-009	Subassembly, hose, cylinder	1
2	50-638-002	Assembly, T3 valve	1	19	50-623-008	Subassembly, hose, valve return	1
3	50-643-001	Subassembly, pump, hydraulic, gear	1	20	50-623-010	Subassembly, hose, pump	1
4	50-027-004	Pulley, engine	1	21	50-623-007	Subassembly, hose, return	1
5	50-523-001	Subassembly, reservoir	1	22	50-623-006	Subassembly, hose, suction	1
6	50-540-005	Assembly, belt tensioner	1	23	50-623-011	Subassembly, hose, valve	1
7	50-042-009	Belt, 1/2"x40"	1	24	21-139-002	Battery, 12V sealed lead-acid AGM	1
8	99-034-134	Horn, ALL-T	1	25	99-034-028	Accessories, motor contactor, 12V coil	1
9	50-034-003	Accessories, electrical, 9V battery clip	1	26	21-034-004	Circuit breaker	1
10	50-139-001	Battery, 9V	1	27	11003	Hex bolt, gr. A, z-plated, 1/4"-20 x 3/4"	2
11	50-034-002	Accessories, electrical, 9V battery snap	1	28	50-034-004	Accessories, battery box, series 16	1
12	99-130-003	Pin, keystone	1	29	99-031-078	Accessories, pipe, 3/4" NPT	1
13	11053	5/16"-18x3/4", HHCS, #2, z-plated	3	30	99-031-094	Accessories, cap, 3/4"	1
14	11019	1/4"-20x4" hex bolt, gr. A, z-plated	1	31	01-031-005	Filter, reservoir, hydraulic	1
15	37018	1/4"-20 Nylon insert lock nut, gr. 2, z-finish	3	32	99-116-073	Fitting, hydraulic, 06MJ-08MP 90°	2
16	11109	3/8"-16x1 1/2" hex bolt, gr. A, zinc finish	4	33	99-116-074	Fitting, hydraulic, 06MJ-12MP 90°	2
17	37024	3/8"-16 Nylon insert lock nut, gr. 2, z-finish	4				

ALL-T-(2 or 4)-GPT-PT and ALL-T-(2 or 4)-GPT-L-PT Power Unit Subassembly Exploded View and Bill of Materials 50-160-004

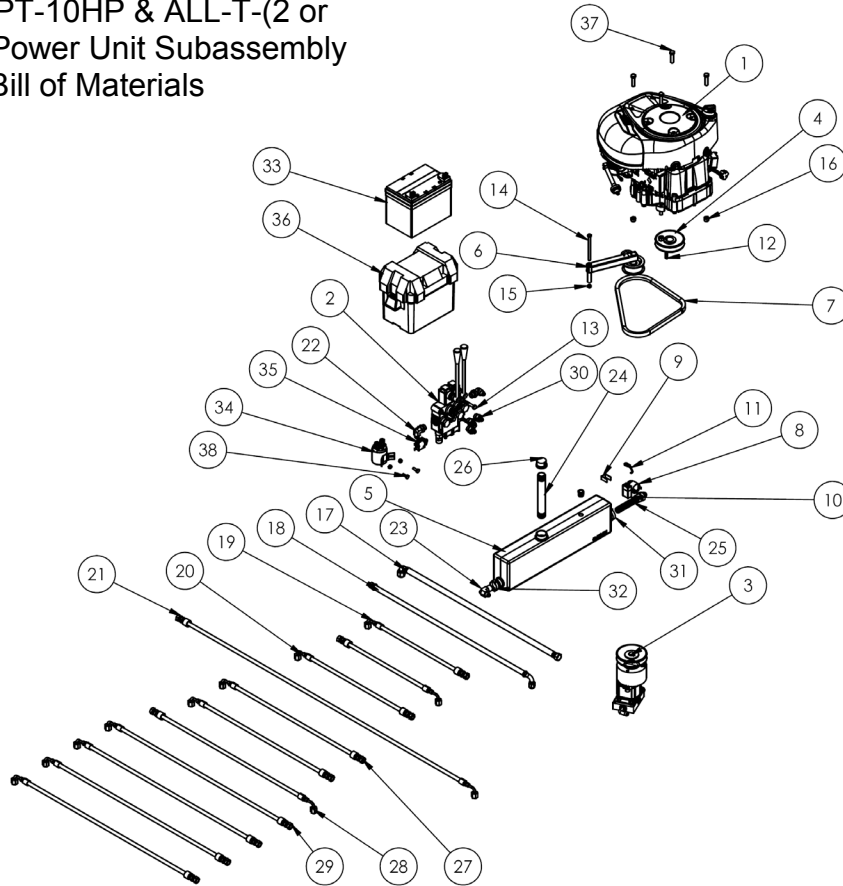
[Return to p. 14](#)



Item	Part no.	Description	Qty.	Item	Part no.	Description	Qty.
1	99-159-007	Engine, 190cc	1	18	50-623-012	Subassembly, hose, suction tank to pump	1
2	50-638-001	Assembly, valve, double	1	19	50-623-013	Subassembly, hose, return valve to tank	1
3	50-643-001	Subassembly, pump, hydraulic, gear	1	20	50-623-014	Subassembly, hose, bottom tilt, bulkhead to block & lift, bulkhead to cylinder	2
4	50-027-003	Pulley, engine	1	21	50-623-015	Subassembly, hose, top tilt, bulkhead to block	1
5	50-523-001	Subassembly, reservoir	1	22	50-623-016	Subassembly, hose, valve to pump	1
6	50-540-003	Assembly, belt tensioner	1	23	99-116-119	Fitting, hydraulic, 06MJ-08MAORB 90°	2
7	50-042-010	Belt, 1/2"x40"	1	24	99-116-073	Fitting, hydraulic, 06MJ-08MP 90°	1
8	99-034-134	Horn, ALL-T	1	25	99-031-078	Accessories, pipe, 3/4" NPT	1
9	50-034-003	Accessories, electrical, 9V battery clip	1	26	01-031-005	Filter, reservoir, hydraulic	1
10	50-139-001	Battery, 9V	1	27	99-031-094	Accessories, cap, 3/4"	1
11	50-034-002	Accessories, electrical, 9V battery snap	1	28	50-623-017	Subassembly, hose, tilt, hose to bulkhead	2
12	99-130-001	Pin, keystick	1	29	50-623-019	Subassembly, hose, lift, valve to bulkhead	1
13	11061	5/16"-18x2", HHCS, #2, z-plated	3	30	50-623-018	Subassembly, hose, block to tilt	4
14	11019	1/4"-20x4" hex bolt, gr. A, z-plated	1	31	99-116-096	Fitting, hydraulic, 06MJ-08MORB straight	3
15	37018	1/4"-20 Nylon insert lock nut, gr. 2, z-finish	1	32	99-031-095	Accessories, clamp, 2 ear, 1 7/16"	1
16	11109	3/8"-16x1 1/2" hex bolt, gr. A, zinc finish	3	33	99-031-096	Accessories, clamp, 2 ear, 1 1/8"	1
17	37024	3/8"-16 Nylon insert lock nut, gr. 2, z-finish	3				

ALL-T-(2 or 4)-GPT-PT-10HP & ALL-T-(2 or 4)-GPT-L-PT-10HP Power Unit Subassembly Exploded View and Bill of Materials 50-160-005

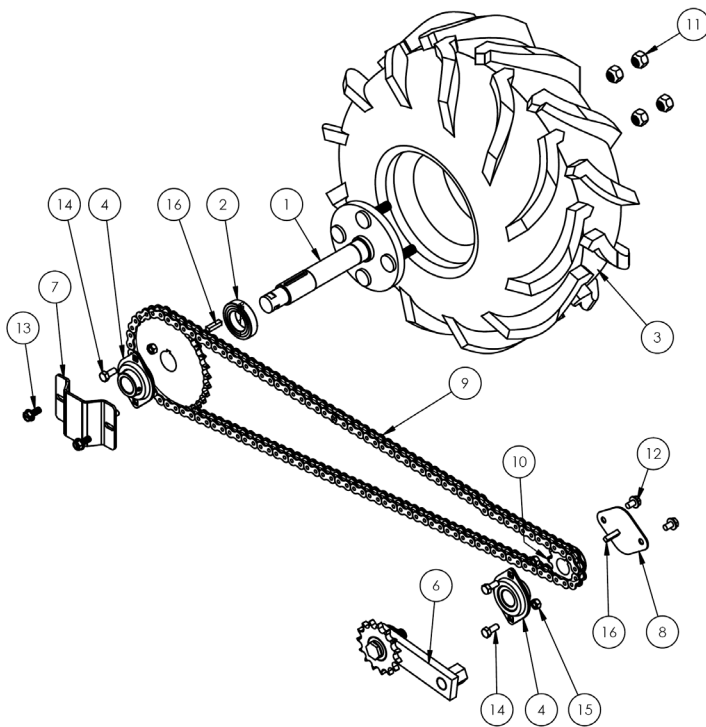
[Return to p. 16](#)



Item	Part no.	Description	Qty.	Item	Part no.	Description	Qty.
1	99-659-001	Engine, 344cc	1	20	50-623-015	Subassembly, hose, top tilt, bulkhead to block	1
2	50-638-001	Assembly, valve, double	1	21	50-623-016	Subassembly, hose, valve to pump	1
3	50-643-001	Subassembly, pump, hydraulic, gear	1	22	99-116-119	Fitting, hydraulic, 06MJ-08MAORB 90°	2
4	50-027-004	Pulley, engine	1	23	99-116-073	Fitting, hydraulic, 06MJ-08MP 90°	1
5	50-523-001	Subassembly, reservoir	1	24	99-031-078	Accessories, pipe, 3/4" NPT	1
6	50-540-003	Assembly, belt tensioner	1	25	01-031-005	Filter, reservoir, hydraulic	1
7	50-042-008	Belt, 1/2"x38"	1	26	99-031-094	Accessories, cap, 3/4"	1
8	99-034-134	Horn, ALL-T	1	27	50-623-017	Subassembly, hose, tilt, hose to bulkhead	2
9	50-034-003	Accessories, electrical, 9V battery clip	1	28	50-623-019	Subassembly, hose, lift, valve to bulkhead	1
10	50-139-001	Battery, 9V	1	29	50-623-018	Subassembly, hose, block to tilt	4
11	50-034-002	Accessories, electrical, 9V battery snap	1	30	99-116-096	Fitting, hydraulic, 06MJ-08MORB straight	3
12	99-130-003	Pin, keystone	1	31	99-031-095	Accessories, clamp, 2 ear, 1 7/16"	1
13	11061	5/16"-18x2", HHCS, #2, z-plated	3	32	99-031-096	Accessories, clamp, 2 ear, 1 1/8"	1
14	11019	1/4"-20x4" hex bolt, gr. A, z-plated	1	33	21-139-002	Battery, 12V, sealed lead-acid (AGM)	1
15	37018	1/4"-20 Nylon insert lock nut, gr. 2, z-finish	3	34	99-034-028	Accessories, motor contactor 12V coil	1
16	37024	3/8"-16 Nylon insert lock nut, gr. 2, z-finish	3	35	21-034-004	Circuit breaker	1
17	50-623-012	Subassembly, hose, suction tank to pump	1	36	50-034-004	Accessories, battery box, series 16	1
18	50-623-013	Subassembly, hose, return valve to tank	1	37	11109	Hex bolt, gr. A, z-finish, 3/8"-16 x 1 1/2"	4
19	50-623-014	Subassembly, hose, bottom tilt, bulkhead to block & lift, bulkhead to cylinder	2	38	11003	Hex bolt, gr. A, z-plated, 1/4"-20 x 3/4"	2

Sprocket Drive Subassembly, Right Side Exploded View and Bill of Materials

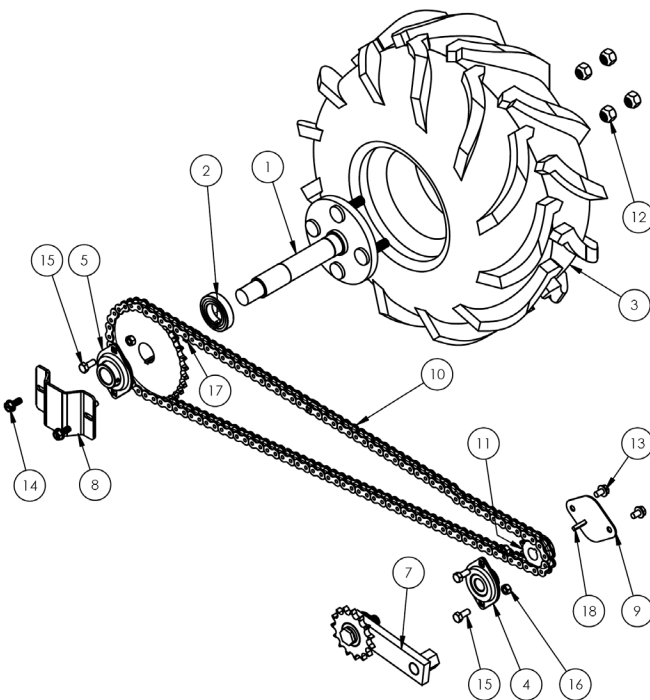
ALL-T-2-GPT-10HP; ALL-T-4-GPT-10HP;
 ALL-T-2-GPT-L-10HPL & ALL-T-4-GPT-L-10HP
 (50-542-008 & 50-542-010 on p. 11 or p. 15)



Item	Part no.	Description	Qty.
1	50-612-002	Assembly, front axle	1
2	15-110-001	Bearing, ball, front axle	1
3	16-132-229	Tire, front left, foam filled	1
4	50-110-001	Bearing, flange mount	2
5	50-042-005	Sprocket, roller chain, front wheel	1
6	50-540-008	Subassembly, chain tensioner	1
7	50-024-004	Cover, front axle skid plate	1
8	50-024-010	Cover, sprocket	1
9	50-145-006 50-145-006 50-145-007 50-145-007	Chain: ALL-T-2-GPT-10HP ALL-T-4-GPT-10HP ALL-T-2-GPT-L-10HP ALL-T-4-GPT-L-10HP	1 1 1 1
10	20-042-002	Sprocket, driver, #50, 10 tooth	1
11	50-120-005	Nut, front lug	4
12	32415	Thread cutting screw, type F, 5/16" - 18 x 1/2"	2
13	32416	Thread cutting screw, slotted, type F, 5/16" - 18 x 3/4"	2
14	11053	Bolt, HHCS, z-plated, 5/16" - 18 x 3/4"	4
15	36104	Hex nut, gr. A, z-plated, 5/16" - 18	4
16	99-130-003	Pin, key stock	2

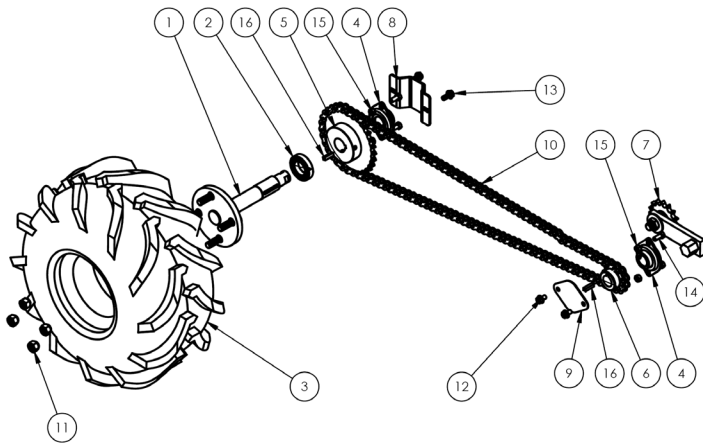
Sprocket Drive Subassembly, Right Side Exploded View and Bill of Materials

ALL-T-2-GPT; ALL-T-4-GPT;
 ALL-T-2-GPT-L and ALL-T-4-GPT-L
 (50-542-004 & 50-542-006 on p. 9 or p. 13)



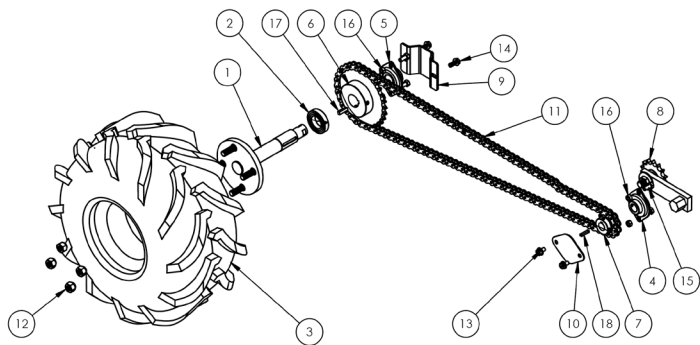
Item	Part no.	Description	Qty.
1	50-612-002	Assembly, front axle	1
2	15-110-001	Bearing, ball, front axle	1
3	16-132-229	Tire, front left, foam filled	1
4	50-042-004	Bearing, flanged, transaxle	1
5	50-110-001	Bearing, flange mount	1
6	50-042-005	Sprocket, roller chain, front wheel	1
7	50-540-008	Subassembly, chain tensioner	1
8	50-024-004	Cover, front axle skid plate	1
9	50-024-010	Cover, sprocket	1
10	50-145-006 50-145-007	Chain: ALL-T-2-GPT & ALL-T-4-GPT ALL-T-2-GPT-L & ALL-T-4-GPT-L	1 1
11	20-042-007	Sprocket, driver, #50, 10 tooth	1
12	50-120-005	Nut, front lug	4
13	32415	Thread cutting screw, type F, 5/16" - 18 x 1/2"	2
14	32416	Thread cutting screw, slotted, type F, 5/16" - 18 x 3/4"	2
15	11053	Bolt, HHCS, z-plated, 5/16" - 18 x 3/4"	4
16	36104	Hex nut, gr. A, z-plated, 5/16" - 18	4
17	99-130-003	Pin, key stock	1
18	99-130-002	Pin, key stock	1

Sprocket Drive Subassembly, Left Side Exploded View and Bill of Materials
ALL-T-2-10HP; ALL-T-4-10HP; ALL-T-2-L-10HPL and ALL-T-4-L-10HP
 (50-542-007 & 50-542-009 on p. 11 or p. 15)



Item	Part no.	Description	Qty.
1	50-612-002	Assembly, front axle	1
2	15-110-001	Bearing, ball, front axle	1
3	16-132-229	Tire, front left, foam filled	1
4	50-110-001	Bearing, flange mount	2
5	50-042-005	Sprocket, roller chain, front wheel	1
6	50-540-008	Subassembly, chain tensioner	1
7	50-024-004	Cover, front axle skid plate	1
8	50-024-010	Cover, sprocket	1
9	50-145-006 50-145-006 50-145-007 50-145-007	Chain: ALL-T-2-GPT-10HP ALL-T-4-GPT-10HP ALL-T-2-GPT-L-10HP ALL-T-4-GPT-L-10HP	1 1 1 1
10	20-042-002	Sprocket, driver, #50, 10 tooth	1
11	50-120-005	Nut, front lug	4
12	32415	Thread cutting screw, type F, $\frac{5}{16}$ "-18 x $\frac{1}{2}$ "	2
13	32416	Thread cutting screw, slotted, type F, $\frac{5}{16}$ "-18 x $\frac{3}{4}$ "	2
14	11053	Bolt, HHCS, z-plated, $\frac{5}{16}$ "-18 x $\frac{3}{4}$ "	4
15	36104	Hex nut, gr. A, z-plated, $\frac{5}{16}$ "-18	4
16	99-130-003	Pin, key stock	2

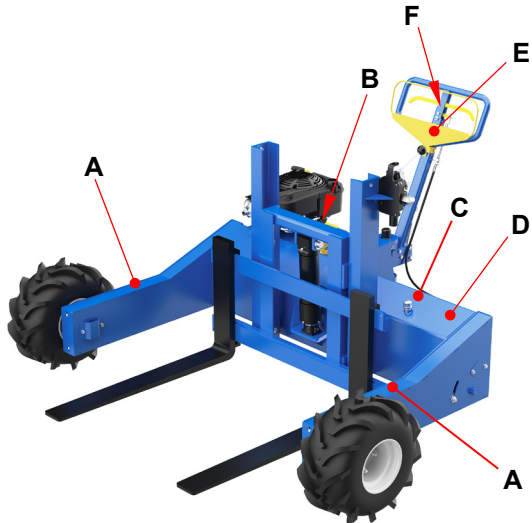
Sprocket Drive Subassembly, Left Side Exploded View and Bill of Materials
ALL-T-2-GPT; ALL-T-4-GPT; ALL-T-2-GPT-L; and ALL-T-4-GPT-L
 (50-542-003 & 50-542-005 on p. 9 or p. 13)



Item	Part no.	Description	Qty.
1	50-612-002	Assembly, front axle	1
2	15-110-001	Bearing, ball, front axle	1
3	16-132-231	Tire, front left, foam filled	1
4	50-042-004	Bearing, flanged, transaxle	1
5	50-110-001	Bearing, flange mount	1
6	50-042-005	Sprocket, roller chain, front wheel	1
7	50-024-007	Sprocket, roller chain, axle	1
8	50-540-008	Subassembly, chain tensioner	1
9	50-024-004	Cover, front axle skid plate	1
10	50-024-010	Cover, sprocket	1
11	50-145-006 50-145-007	Chain: ALL-T-2-GPT & ALL-T-4-GPT ALL-T-2-GPT-L & ALL-T-4-GPT-L	1 1
12	50-120-005	Nut, front lug	4
13	32415	Thread cutting screw, type F, $\frac{5}{16}$ "-18 x $\frac{1}{2}$ "	2
14	32416	Thread cutting screw, slotted, type F, $\frac{5}{16}$ "-18 x $\frac{3}{4}$ "	2
15	11053	Bolt, HHCS, z-plated, $\frac{5}{16}$ "-18 x $\frac{3}{4}$ "	4
16	36104	Hex nut, gr. A, z-plated, $\frac{5}{16}$ "-18	4
17	99-130-003	Pin, key stock	1
18	99-130-002	Pin, key stock	1

LABELING DIAGRAM:

The unit should be labeled as shown in the diagrams. However, label content and location are subject to change so your product might not be labeled exactly as shown. Thoroughly photograph the unit when you first receive it as discussed in the "Written Record" portion of the Inspections and Maintenance section on p. 5. Make sure that your record includes a photograph of each label. Replace all labels that are, or later become, damaged, missing, or not easily readable (e.g. faded). To order replacement labels, contact the technical service and parts department online at http://www.vestilmfg.com/parts_info.htm. Alternatively, you may request replacement parts and/or service by calling (260) 665-7586 and asking the operator to connect you to the Parts Department.



A: Label 220 On both legs and on drive belt guard (p. 8)

⚠ WARNING	⚠ ADVERTENCIA	⚠ AVERTISSEMENT
KEEP CLEAR WHEN IN USE	MANTENGASE ALEJADO CUANDO SE ESTA OPERANDO	SE TENIR À DISTANCE LORS DU FONCTIONNEMENT
		220 rev 0111

B: Label 207 On back of carriage cross bar

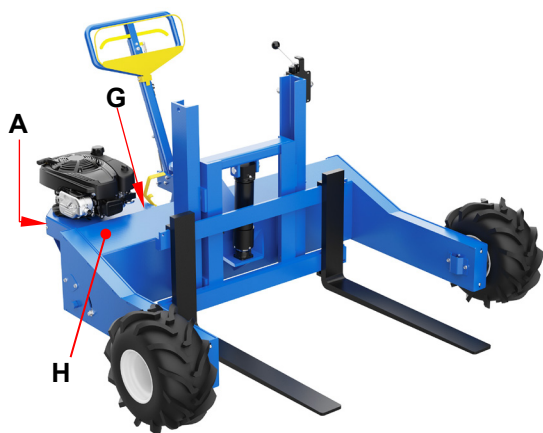
⚠ WARNING	⚠ ADVERTENCIA	⚠ AVERTISSEMENT
DO NOT REAR UP OR TILT THE FORK LIFTER WITHOUT SAFETY BLOCK OR WING LOCKED. KEEP CLEAR OF MOVING BLOCKS AND REAR UP LIFT.	NO REAR UP O INCLINAR EL CARRO SIN BLOQUEAR EL BLOQUEO DE SEGURIDAD O SIN CERRAR LA ALA DE SEGURIDAD.	NE PAS TRAVAILER SUR LE BAVOIR SANS BLOCS DE SECURITE OU SANS LA CLAUDE DE SECURITE.
DO NOT REAR UP OR TILT THE FORK LIFTER WITHOUT SAFETY BLOCK OR WING LOCKED. KEEP CLEAR OF MOVING BLOCKS AND REAR UP LIFT.	NO REAR UP O INCLINAR EL CARRO SIN BLOQUEAR EL BLOQUEO DE SEGURIDAD O SIN CERRAR LA ALA DE SEGURIDAD.	NE PAS TRAVAILER SUR LE BAVOIR SANS BLOCS DE SECURITE OU SANS LA CLAUDE DE SECURITE.
DO NOT REAR UP OR TILT THE FORK LIFTER WITHOUT SAFETY BLOCK OR WING LOCKED. KEEP CLEAR OF MOVING BLOCKS AND REAR UP LIFT.	NO REAR UP O INCLINAR EL CARRO SIN BLOQUEAR EL BLOQUEO DE SEGURIDAD O SIN CERRAR LA ALA DE SEGURIDAD.	NE PAS TRAVAILER SUR LE BAVOIR SANS BLOCS DE SECURITE OU SANS LA CLAUDE DE SECURITE.

C: Label 206 On frame/oil tank close to oil fill cap

ISO 32 / 150 SUS	
HYDRAULIC OIL OR NON-SYNTHETIC TRANSMISSION FLUID	
ACEITE HIDRAULICO O LIQUIDOS DE TRANSMISION NO SINTETICOS	
HUILE OU LIQUIDE HYDRAULIQUE NON-SYNTHETIQUE	
206 Rev. 1003	
VESTIL MANUFACTURING CORPORATION • Phone (260) 665-7586 • www.vestil.com	

D: Label 287 On frame/oil tank

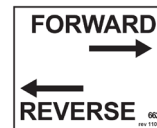
MODEL/MODÉLO/MODÈLE _____
STATIC CAPACITY (evenly distributed) _____ lbs.
LA CAPACIDAD CONSTANTE (distribuida uniformemente) _____ kgs.
CAPACITÉ STATIQUE (distribuée régulièrement) _____ kgs.
SERIAL/SERIE/SÉRIE _____
287 REV 0812



E: Label 834 On kill switch

Hold kill switch to run
Mantenga el interruptor de cierre apretado para ejecutar
834

F: Label 662 On handle by direction control lever



G: Label 835 On frame by parking brake

PARKING BRAKE
FRENO DE PARKING
835

H: Label 696 On frame by motor

⚠ DANGER
Engine operation produces carbon monoxide.
ONLY OPERATE engine in well ventilated areas.
TURN OFF engine when not in use.
696 rev 1105

J: Label 661 (not shown in diagrams) On transaxle release lever (p. 7)

PRESS FOR NEUTRAL
661

****New labels to provide the information mandated in part 8.5 of B56.6 are being created. When finished, they will replace labels B and D in the diagram.****

LIMITED WARRANTY

Vestil Manufacturing Corporation (“Vestil”) warrants this product to be free of defects in material and workmanship during the warranty period. Our warranty obligation is to provide a replacement for a defective, original part covered by the warranty after we receive a proper request from the Warrantee (you) for warranty service.

Who may request service?

Only a warrantee may request service. You are a warrantee if you purchased the product from Vestil or from an authorized distributor AND Vestil has been fully paid.

Definition of “original part”?

An original part is a part used to make the product as shipped to the Warrantee.

What is a “proper request”?

A request for warranty service is proper if Vestil receives: 1) a photocopy of the Customer Invoice that displays the shipping date; AND 2) a written request for warranty service including your name and phone number. Send requests by one of the following methods:

<u>US Mail</u>	<u>Fax</u>	<u>Email</u>
Vestil Manufacturing Corporation 2999 North Wayne Street, PO Box 507 Angola, IN 46703	(260) 665-1339 <u>Phone</u> (260) 665-7586	info@vestil.com Enter “Warranty service request” in subject field.

In the written request, list the parts believed to be defective and include the address where replacements should be delivered. After Vestil receives your request for warranty service, an authorized representative will contact you to determine whether your claim is covered by the warranty. Before providing warranty service, Vestil will require you to send the entire product, or just the defective part (or parts), to its facility in Angola, IN.

What is covered under the warranty?

The warranty covers defects in the following original, dynamic parts: motors, hydraulic pumps, motor controllers, and cylinders. It also covers defects in original parts that wear under normal usage conditions (“wearing parts”), such as bearings, hoses, wheels, seals, brushes, and batteries.

How long is the warranty period?

The warranty period for original dynamic components is 1 year. For wearing parts, the warranty period is 90 days. Both warranty periods begin on the date Vestil ships the product to the Warrantee. If the product was purchased from an authorized distributor, the periods begin when the distributor ships the product. Vestil may, at its sole discretion, extend a warranty period for products shipped from authorized distributors by up to 30 days to account for shipping time.

If a defective part is covered by the warranty, what will Vestil do to correct the problem?

Vestil will provide an appropriate replacement for any *covered* part. An authorized representative of Vestil will contact you to discuss your claim.

What is not covered by the warranty?

The Warrantee (you) are responsible for paying labor costs and freight costs to return the product to Vestil for warranty service.

Events that automatically void this Limited Warranty.

- Misuse;
- Negligent assembly, installation, operation or repair;
- Installation/use in corrosive environments;
- Inadequate or improper maintenance;
- Damage sustained during shipping;
- Collisions or other accidents that damage the product;
- Unauthorized modifications: Do not modify the product IN ANY WAY without first receiving written authorization from Vestil.

Do any other warranties apply to the product?

Vestil Manufacturing Corp. makes no other express warranties. All implied warranties are disclaimed to the extent allowed by law. Any implied warranty not disclaimed is limited in scope to the terms of this Limited Warranty. Vestil makes no warranty or representation that this product complies with any state or local design, performance, or safety code or standard. Noncompliance with any such code or standard is not a defect in material or workmanship.

